


Dell Networking W-Series Instant 6.4.0.2-4.1 MIB



Reference Guide

Copyright

© 2014 Aruba Networks, Inc. Aruba Networks trademarks include  Airwave, Aruba Networks®, Aruba Wireless Networks®, the registered Aruba the Mobile Edge Company logo, and Aruba Mobility Management System®. Dell™, the DELL™ logo, and PowerConnect™ are trademarks of Dell Inc.

All rights reserved. Specifications in this manual are subject to change without notice.

Originated in the USA. All other trademarks are the property of their respective owners.

Open Source Code

Certain Aruba products include Open Source software code developed by third parties, including software code subject to the GNU General Public License (GPL), GNU Lesser General Public License (LGPL), or other Open Source Licenses. Includes software from Litech Systems Design. The IF-MAP client library copyright 2011 Infoblox, Inc. All rights reserved. This product includes software developed by Lars Fenneberg, et al. The Open Source code used can be found at this site:

http://www.arubanetworks.com/open_source

Legal Notice

The use of Aruba Networks, Inc. switching platforms and software, by all individuals or corporations, to terminate other vendors' VPN client devices constitutes complete acceptance of liability by that individual or corporation for this action and indemnifies, in full, Aruba Networks, Inc. from any and all legal actions that might be taken against it with respect to infringement of copyright on behalf of those vendors.

Contents	3
About this Guide	20
Intended Audience	20
Related Documents	20
Conventions	20
What is New in this Release	21
Contacting Dell	21
MIBs Overview	22
MIBs	22
SNMP	23
Using MIBs	25
Downloading MIB Files	25
Reporting WLAN Health	25
SNMP Operations on W-IAPs	25
MIB Browsers	26
Reading MIB Files	26
Opening Line	27
Imports	27
Inheritance	27
Identity	28
MIB Modules	28
Group	28
Table	28
Entry	28
Closing Line	29
SNMP File	29
HP OpenView	29

Instant MIBs	30
aiInfoGroup	31
aiVirtualControllerKey	31
aiVirtualControllerName	32
aiVirtualControllerOrganization	32
aiVirtualControllerVersion	32
aiVirtualControllerIPAddress	32
aiMasterIPAddress	33
aiStateGroup	33
aiAccessPointTable	33
aiAccessPointEntry	34
aiAPMACAddress	34
aiAPName	34
aiAPIPAddress	34
aiAPSerialNum	34
aiAPModel	35
aiAPModelName	35
aiAPCPUUtilization	35
aiAPMemoryFree	35
aiAPUptime	35
aiAPTtotalMemory	36
aiAPStatus	36
aiRadioTable	36
aiRadioEntry	37
aiRadioAPMacAddress	37
aiRadioIndex	37
aiRadioMACAddress	37
aiRadioChannel	38
aiRadioTransmitPower	38
aiRadioNoiseFloor	38
aiRadioUtilization4	38
aiRadioUtilization64	38

aiRadioTxTotalFrames	39
aiRadioTxMgmtFrames	39
aiRadioTxDataFrames	39
aiRadioTxDataBytes	39
aiRadioTxDrops	39
aiRadioRxTotalFrames	40
aiRadioRxDataFrames	40
aiRadioRxDataBytes	40
aiRadioRxMgmtFrames	40
aiRadioRxBad	40
aiRadioPhyEvents	41
aiRadioStatus	41
aiWlanTable	41
aiWlanEntry	42
aiWlanAPMACAddress	42
aiWlanIndex	42
aiWlanESSID	42
aiWlanMACAddress	42
aiWlanTxTotalFrames	43
aiWlanTxDataFrames	43
aiWlanTxDataBytes	43
aiWlanRxTotalFrames	43
aiWlanRxDataFrames	43
aiWlanRxDataBytes	44
aiClientTable	44
aiClientEntry	45
aiClientMACAddress	45
aiClientWlanMACAddress	45
aiClientIPAddress	45
aiClientAPIPAddress	45
aiClientName	46
aiClientOperatingSystem	46

aiClientSNR	46
aiClientTxDataFrames	46
aiClientTxDataBytes	46
aiClientTxRetries	47
aiClientTxRate	47
aiClientRxDataFrames	47
aiClientRxDataBytes	47
aiClientRxRetries	47
aiClientRxRate	48
aiClientUptime	48
Standard SNMP MIBs	49
System MIB	49
sysDescr	50
sysObjectID	50
sysUpTime	50
sysName	50
sysLocation	51
sysServices	51
dot1qTpFdbTable	51
dot1qFdbId	51
dot1qTpFdbAddress	52
dot1qTpFdbPort	52
dot1qTpFdbStatus	52
ifTable	52
ifIndex	53
ifDescr	53
ifType	54
ifMtu	54
ifSpeed	54
ifPhysAddress	54
ifAdminStatus	55
ifOperStatus	55

ifInOctets	55
ifInUcastPkts	55
ifInNUcastPkts	56
ifInDiscards	56
ifInErrors	56
ifOutOctets	56
ifOutUcastPkts	57
ifOutDiscards	57
ifOutErrors	57
ifXTable	57
ifName	58
ifInMulticastPkts	58
ifInBroadcastPkts	58
ifOutMulticastPkts	59
ifOutBroadcastPkts	59
ifHCInOctets	59
ifHCInUcastPkts	59
ifHCInMulticastPkts	60
ifHCInBroadcastPkts	60
ifHCOctets	60
ifHCOUcastPkts	61
ifHCOMulticastPkts	61
ifHCOBroadcastPkts	61
ifLinkUpDownTrapEnable	62
ifPromiscuousMode	62
ifConnectorPresent	62
Traps	63
Trap Hierarchy	63
wlsxTrapAPMacAddress	68
wlsxTrapAPIpAddress	68
wlsxTrapAPBSSID	68
wlsxTrapEssid	69

wlsxTrapTargetAPBSSID	69
wlsxTrapTargetAPSSID	69
wlsxTrapTargetAPChannel	69
wlsxTrapNodeMac	70
wlsxTrapSourceMac	70
wlsxReceiverMac	70
wlsxTrapTransmitterMac	70
wlsxTrapReceiverMac	70
wlsxTrapSnr	71
wlsxTrapSignatureName	71
wlsxTrapFrameType	71
wlsxTrapAddressType	71
wlsxTrapAPLocation	71
wlsxTrapAPChannel	72
wlsxTrapAPTxPower	72
wlsxTrapMatchedMac	72
wlsxTrapMatchedIp	72
wlsxTrapRogueIpURL	72
wlsxTrapVLANId	73
wlsxTrapAdminStatus	73
wlsxTrapOperStatus	73
wlsxTrapAuthServerName	73
wlsxTrapAuthServerTimeout	73
wlsxTrapCardSlot	74
wlsxTrapTemperatureValue	74
wlsxTrapProcessName	74
wlsxTrapFanNumber	74
wlsxTrapVoltageType	74
wlsxTrapVoltageValue	75
wlsxTrapStationBlackListReason	75
wlsxTrapSpoofedIpAddress	75
wlsxTrapSpoofedOldPhyAddress	75

wlsxTrapSpoofedNewPhyAddress	75
wlsxTrapDBName	76
wlsxTrapDBUserName	76
wlsxTrapDBIpAddress	76
wlsxTrapDBType	76
wlsxTrapVrrpID	76
wlsxTrapVrrpMasterIp	77
wlsxTrapVrrpOperState	77
wlsxTrapESIServerGrpName	77
wlsxTrapESIServerName	77
wlsxTrapESIServerIpAddress	77
wlsxTrapLicenseDaysRemaining	78
wlsxTrapSwitchIp	78
wlsxTrapSwitchRole	78
wlsxTrapUserIpAddress	78
wlsxTrapUserPhyAddress	78
wlsxTrapUserName	79
wlsxTrapUserRole	79
wlsxTrapUserAuthenticationMethod	79
wlsxTrapAPRadioNumber	79
wlsxTrapRogueInfoURL	79
wlsxTrapInterferingAPIInfoURL	80
wlsxTrapPortNumber	80
wlsxTrapTime	80
wlsxTrapHostIp	80
wlsxTrapHostPort	80
wlsxTrapConfigurationId	81
wlsxTrapCTSURL	81
wlsxTrapCTSTransferType	81
wlsxTrapConfigurationState	81
wlsxTrapUpdateFailureReason	81
wlsxTrapUpdateFailedObj	82

wlsxTrapTableEntryChangeType	82
wlsxTrapGlobalConfigObj	82
wlsxTrapTableGenNumber	82
wlsxTrapLicenseld	82
wlsxTrapConfidenceLevel	83
wlsxTrapMissingLicenses	83
wlsxVoiceCurrentNumCdr	83
wlsxTrapTunnelId	83
wlsxTrapTunnelStatus	83
wlsxTrapTunnelUpReason	84
wlsxTrapTunnelDownReason	84
wlsxTrapApSerialNumber	84
wlsxTraptimeStr	84
wlsxTrapMasterIp	84
wlsxTrapLocalIp	85
wlsxTrapMasterName	85
wlsxTrapLocalName	85
wlsxTrapPrimaryControllerIp	85
wlsxTrapBackupControllerIp	85
wlsxTrapSpoofedFrameType	86
wlsxTrapAssociationType	86
wlsxTrapDeviceIpAddress	86
wlsxTrapDeviceMac	86
wlsxTrapVcIpAddress	86
wlsxTrapVcMacAddress	87
wlsxTrapAPName	87
wlsxTrapApMode	87
wlsxTrapAPPprevChannel	87
wlsxTrapAPPprevChannelSec	87
wlsxTrapAPPprevTxPower	88
wlsxTrapAPCurMode	88
wlsxTrapAPPprevMode	88

wlsxTrapAPARMChangeReason	88
wlsxTrapAPChannelSec	88
wlsxTrapUserAttributeChangeType	89
wlsxTrapAPControllerIp	89
wlsxTrapApMasterStatus	89
wlsxTrapCaName	89
wlsxTrapCrlName	89
wlsxTrapCount	90
wlsxTrapAPPreviousUplinkType	90
wlsxTrapAPPreviousUplinkActiveTime	90
wlsxTrapAPActiveUplinkType	90
wlsxTrapAPUplinkChangeReason	90
wlsxTrapAPManagedModeConfigFailure	91
ai Traps Objects Group	91
wlsxTrapAPMacAddress	95
wlsxTrapAPIpAddress	95
wlsxTrapAPBSSID	95
wlsxTrapEssid	96
wlsxTrapTargetAPBSSID	96
wlsxTrapTargetAPSSID	96
wlsxTrapTargetAPChannel	96
wlsxTrapNodeMac	97
wlsxTrapSourceMac	97
wlsxReceiverMac	97
wlsxTrapTransmitterMac	97
wlsxTrapReceiverMac	97
wlsxTrapSnr	98
wlsxTrapSignatureName	98
wlsxTrapFrameType	98
wlsxTrapAddressType	98
wlsxTrapAPLocation	98
wlsxTrapAPChannel	99

wlsxTrapAPTxPower	99
wlsxTrapMatchedMac	99
wlsxTrapMatchedIp	99
wlsxTrapRogueIfoURL	99
wlsxTrapVLANId	100
wlsxTrapAdminStatus	100
wlsxTrapOperStatus	100
wlsxTrapAuthServerName	100
wlsxTrapAuthServerTimeout	100
wlsxTrapCardSlot	101
wlsxTrapTemperatureValue	101
wlsxTrapProcessName	101
wlsxTrapFanNumber	101
wlsxTrapVoltageType	101
wlsxTrapVoltageValue	102
wlsxTrapStationBlackListReason	102
wlsxTrapSpoofedIpAddress	102
wlsxTrapSpoofedOldPhyAddress	102
wlsxTrapSpoofedNewPhyAddress	102
wlsxTrapDBName	103
wlsxTrapDBUserName	103
wlsxTrapDBIpAddress	103
wlsxTrapDBType	103
wlsxTrapVrrpID	103
wlsxTrapVrrpMasterIp	104
wlsxTrapVrrpOperState	104
wlsxTrapESIServerGrpName	104
wlsxTrapESIServerName	104
wlsxTrapESIServerIpAddress	104
wlsxTrapLicenseDaysRemaining	105
wlsxTrapSwitchIp	105
wlsxTrapSwitchRole	105

wlsxTrapUserIpAddress	105
wlsxTrapUserPhyAddress	105
wlsxTrapUserName	106
wlsxTrapUserRole	106
wlsxTrapUserAuthenticationMethod	106
wlsxTrapAPRadioNumber	106
wlsxTrapRogueInfoURL	106
wlsxTrapInterferingAPIInfoURL	107
wlsxTrapPortNumber	107
wlsxTrapTime	107
wlsxTrapHostIp	107
wlsxTrapHostPort	107
wlsxTrapConfigurationId	108
wlsxTrapCTSURL	108
wlsxTrapCTSTransferType	108
wlsxTrapConfigurationState	108
wlsxTrapUpdateFailureReason	108
wlsxTrapUpdateFailedObj	109
wlsxTrapTableEntryChangeType	109
wlsxTrapGlobalConfigObj	109
wlsxTrapTableGenNumber	109
wlsxTrapLicenseId	109
wlsxTrapConfidenceLevel	110
wlsxTrapMissingLicenses	110
wlsxVoiceCurrentNumCdr	110
wlsxTrapTunnelId	110
wlsxTrapTunnelStatus	110
wlsxTrapTunnelUpReason	111
wlsxTrapTunnelDownReason	111
wlsxTrapApSerialNumber	111
wlsxTraptimeStr	111
wlsxTrapMasterIp	111

wlsxTrapLocalIp	112
wlsxTrapMasterName	112
wlsxTrapLocalName	112
wlsxTrapPrimaryControllerIp	112
wlsxTrapBackupControllerIp	112
wlsxTrapSpoofedFrameType	113
wlsxTrapAssociationType	113
wlsxTrapDeviceIpAddress	113
wlsxTrapDeviceMac	113
wlsxTrapVcIpAddress	113
wlsxTrapVcMacAddress	114
wlsxTrapAPName	114
wlsxTrapApMode	114
wlsxTrapAPPrevChannel	114
wlsxTrapAPPrevChannelSec	114
wlsxTrapAPPrevTxPower	115
wlsxTrapAPCurMode	115
wlsxTrapAPPrevMode	115
wlsxTrapAPARMChangeReason	115
wlsxTrapAPChannelSec	115
wlsxTrapUserAttributeChangeType	116
wlsxTrapAPControllerIp	116
wlsxTrapApMasterStatus	116
wlsxTrapCaName	116
wlsxTrapCrlName	116
wlsxTrapCount	117
wlsxTrapAPPreviousUplinkType	117
wlsxTrapAPPreviousUplinkActiveTime	117
wlsxTrapAPActiveUplinkType	117
wlsxTrapAPUplinkChangeReason	117
wlsxTrapAPManagedModeConfigFailure	118
ai Traps Definitions Group	118

wlsxNUserEntryCreated	124
wlsxNUserEntryDeleted	124
wlsxNUserEntryAuthenticated	124
wlsxNUserEntryDeAuthenticated	124
wlsxNUserAuthenticationFailed	125
wlsxNAuthServerReqTimedOut	125
wlsxNAuthServerTimedOut	125
wlsxNAuthServerIsUp	125
wlsxNAccessPointIsUp	125
wlsxNChannelChanged	126
wlsxNStationAddedToBlackList	126
wlsxNStationRemovedFromBlackList	126
wlsxNRadioAttributesChanged	126
wlsxUnsecureAPDetected	126
wlsxUnsecureAPResolved	127
wlsxStalImpersonation	127
wlsxReservedChannelViolation	127
wlsxValidSSIDViolation	127
wlsxChannelMisconfiguration	127
wlsxOUIMisconfiguration	128
wlsxSSIDMisconfiguration	128
wlsxShortPreambleMisconfiguration	128
wlsxWPAMisconfiguration	128
wlsxAdhocNetworkDetected	128
wlsxAdhocNetworkRemoved	129
wlsxStaPolicyViolation	129
wlsxRepeatWEPIVViolation	129
wlsxWeakWEPIVViolation	129
wlsxChannelInterferenceDetected	129
wlsxChannelInterferenceCleared	130
wlsxAPIInterferenceDetected	130
wlsxAPIInterferenceCleared	130

wlsxStaInterferenceDetected	130
wlsxStaInterferenceCleared	130
wlsxFrameRetryRateExceeded	131
wlsxFrameReceiveErrorRateExceeded	131
wlsxFrameFragmentationRateExceeded	131
wlsxFrameBandWidthRateExceeded	131
wlsxFrameLowSpeedRateExceeded	131
wlsxFrameNonUnicastRateExceeded	132
wlsxLoadbalancingEnabled	132
wlsxLoadbalancingDisabled	132
wlsxChannelFrameRetryRateExceeded	132
wlsxChannelFrameFragmentationRateExceeded	132
wlsxChannelFrameErrorRateExceeded	133
wlsxSignatureMatchAP	133
wlsxSignatureMatchSta	133
wlsxChannelRateAnomaly	133
wlsxNodeRateAnomaly	133
wlsxNodeRateAnomalyAP	134
wlsxNodeRateAnomalySta	134
wlsxEAPRateAnomaly	134
wlsxSignalAnomaly	134
wlsxSequenceNumberAnomalyAP	135
wlsxSequenceNumberAnomalySta	135
wlsxDisconnectStationAttack	135
wlsxApFloodAttack	136
wlsxAdhocNetwork	136
wlsxWirelessBridge	136
wlsxInvalidMacOUIAP	136
wlsxInvalidMacOUISta	136
wlsxWEPMisconfiguration	137
wlsxStaRepeatWEPIVViolation	137
wlsxStaWeakWEPIVViolation	137

wlsxStaAssociatedToUnsecureAP	137
wlsxStaUnAssociatedFromUnsecureAP	137
wlsxAdhocNetworkBridgeDetected	138
wlsxInterferingApDetected	138
wlsxColdStart	138
wlsxWarmStart	138
wlsxAPImpersonation	138
wlsxNAuthServerIsDown	139
wlsxWindowsBridgeDetected	139
wlsxSignAPNetstumbler	139
wlsxSignStaNetstumbler	139
wlsxSignAPAsleep	139
wlsxSignStaAsleep	140
wlsxSignAPAirjack	140
wlsxSignStaAirjack	140
wlsxSignAPNullProbeResp	140
wlsxSignStaNullProbeResp	140
wlsxSignAPDeauthBcast	141
wlsxSignStaDeauthBcast	141
wlsxWindowsBridgeDetectedSta	141
wlsxAdhocNetworkBridgeDetectedAP	141
wlsxAdhocNetworkBridgeDetectedSta	142
wlsxHT40MHzIntoleranceSta	143
wlsxNAdhocNetwork	143
wlsxNAdhocNetworkBridgeDetectedAP	144
wlsxNStaUnAssociatedFromUnsecureAP	145
wlsxOmertaAttack	146
wlsxTKIPReplayAttack	146
wlsxChopChopAttack	146
wlsxFataJackAttack	146
wlsxInvalidAddressCombination	146
wlsxValidClientMisassociation	147

wlsxMalformedHTIEDetected	147
wlsxMalformedAssocReqDetected	147
wlsxOverflowIEDetected	147
wlsxOverflowEAPOLKeyDetected	148
wlsxMalformedFrameLargeDurationDetected	148
wlsxMalformedFrameWrongChannelDetected	148
wlsxMalformedAuthFrame	148
wlsxCTSRateAnomaly	148
wlsxRTSRateAnomaly	149
wlsxNRogueAPDetected	149
wlsxNRogueAPResolved	149
wlsxNeighborAPDetected	149
wlsxNInterferingAPDetected	149
wlsxNSuspectRogueAPDetected	150
wlsxNSuspectRogueAPResolved	150
wlsxBlockAckAttackDetected	150
wlsxHotspotterAttackDetected	150
wlsxNSignatureMatch	151
wlsxNSignatureMatchNetstumbler	151
wlsxNSignatureMatchAsleep	151
wlsxNSignatureMatchAirjack	151
wlsxNSignatureMatchNullProbeResp	152
wlsxNSignatureMatchDeathBcast	152
wlsxNSignatureMatchDisassocBcast	152
wlsxNSignatureMatchWellenreiter	153
wlsxAPDeathContainment	153
wlsxClientDeathContainment	153
wlsxAPWiredContainment	153
wlsxClientWiredContainment	153
wlsxAPTaggedWiredContainment	154
wlsxClientTaggedWiredContainment	154
wlsxTarpitContainment	154

wlsxAPChannelChange	154
wlsxAPPowerChange	154
wlsxAPModeChange	155
wlsxUserEntryAttributesChanged	155
wlsxNAPMasterStatusChange	155
wlsxNAdhocUsingValidSSID	155
wlsxMgmtUserAuthenticationFailed	156
SNMP Traps	156
linkDown	156
linkUp	156

This guide provides information on Management Information Base (MIBs) supported in Dell Networking W-Series Instant 6.4.0.2-4.1 software release.

Intended Audience

This manual is intended for network administrators and operators responsible for managing the Dell Networking W-Series Instant Access Point (W-IAP).

Related Documents

In addition to this document, the Dell W-IAP product documentation includes the following:

- *Dell Networking W-Series Instant Access Point Installation Guides*
- *Dell Networking W-Series Instant 6.4.0.2-4.1 User Guide*
- *Dell Networking W-Series Instant 6.4.0.2-4.1 CLI Reference Guide*
- *Dell Networking W-Series Instant 6.4.0.2-4.1 Quick Start Guide*
- *Dell Networking W-Series Instant 6.4.0.2-4.1 Syslog Messages Reference Guide*
- *Dell Networking W-Series Instant 6.4.0.2-4.1 Release Notes*

Conventions

The following conventions are used throughout this manual to emphasize important concepts:

Table 1: *Typographical Conventions*

Type Style	Description
<i>Italics</i>	This style is used to emphasize important terms and to mark the titles of books.
System items	This fixed-width font depicts the following: <ul style="list-style-type: none"> • Sample screen output • System prompts • Filenames, software devices, and specific commands when mentioned in the text
Commands	In the command examples, this style depicts the keywords that must be typed exactly as shown.

Type Style	Description
<Arguments>	In the command examples, italicized text within angle brackets represents items that you should replace with information appropriate to your specific situation. For example: # send <text message> In this example, you would type “send” at the system prompt exactly as shown, followed by the text of the message you wish to send. Do not type the angle brackets.
[Optional]	Command examples enclosed in brackets are optional. Do not type the brackets.
{Item A Item B}	In the command examples, items within curled braces and separated by a vertical bar represent the available choices. Enter only one choice. Do not type the braces or bars.

The following informational icons are used throughout this guide:



Indicates helpful suggestions, pertinent information, and important things to remember.



Indicates a risk of damage to your hardware or loss of data.



Indicates a risk of personal injury or death.

What is New in this Release

The version of the document contains the following updates:

Table 2: *New Features in Dell Networking W-Series Instant 6.4.0.2-4.1*

Feature	Description
Sourcing Virtual Controller traps from Virtual Controller IP address and sysObjectID enhancements	In the current release, if the Virtual Controller IP address is configured, the traps are generated with Virtual Controller IP as the source IP address. The sysObjectID of systemMIB returns results with iapvc when a query on the Virtual Controller IP is performed.

Contacting Dell

Table 3: *Support Information*

Support	
Main Website	dell.com
Contact Information	dell.com/contactdell
Support Website	dell.com/support
Documentation Website	dell.com/support/manuals

This chapter provides information about Management Information Base (MIBs) supported in Dell Networking W-Series Instant 6.4.0.2-4.1 software release.

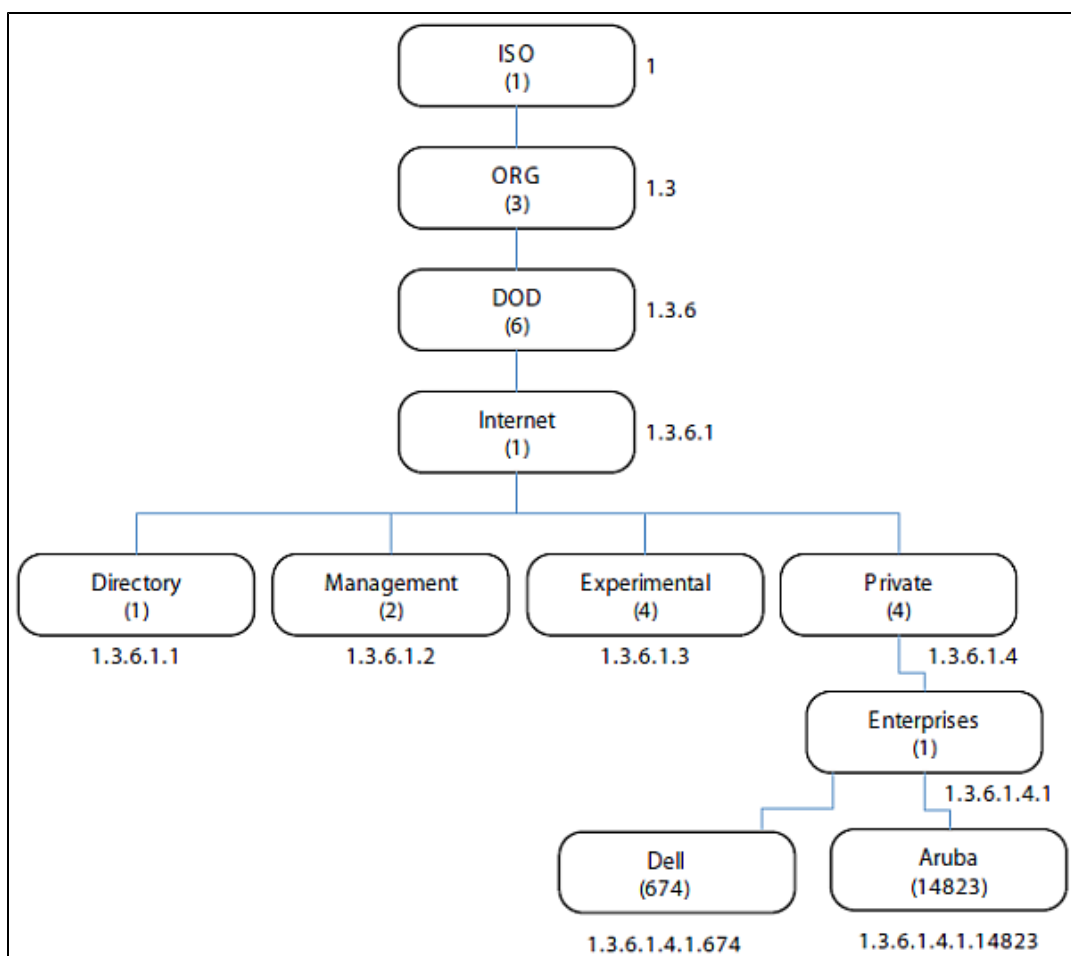
MIBs

A MIB is a virtual database that contains information used for network management. Each managed device contains MIBs that define its properties. A separate MIB is provided for each defined property, such as the group of physical ports assigned to a VLAN or the statistical data of packets transferred at a specific rate.

MIB objects, such as a MIB table or a specific object in a MIB table, are identified with Object identifiers (OIDs). The OIDs are designated by text strings and integer sequences. For example, *Dell* and 1.3.6.1.4.1.674 both represent the private enterprise node *Dell*.

Figure 1 illustrates the high-level hierarchy of the Enterprise MIBs.

Figure 1 High-Level MIB Hierarchy



The hardware MIBs are assigned under the Dell organization code, while all other MIBs are under the Aruba organization code.

Table 4 indicates the numerical string that lists the nodes of the enterprise MIB hierarchy.

Table 4: MIB Node Identification - Enterprise Nodes

		Name
1	1	OSI
3	1.3	ORG
6	1.3.6	DOD
1	1.3.6.1	Internet
4	1.3.6.1.4	Private
1	1.3.6.1.4.1	Enterprise
674	1.3.6.1.4.1.674	Dell

The information provided by a MIB is a file that describes network elements with numerical strings. This information is compiled into readable text by the SNMP manager. For information about reading MIB text files, see [Reading MIB Files on page 26](#).

SNMP

MIB objects can be accessed through the Simple Network Management Protocol (SNMP). To deliver information between devices, every object referenced in an SNMP message must be listed in the MIB. A component of a device that is not described in a MIB cannot be recognized by SNMP as there is no information for SNMP managers and SNMP agents to exchange.

The significant elements of SNMP are Managers, Agents, and MIBs:

- SNMP Managers (software application) are used for communicating and managing the devices that support SNMP Agents. SNMP Managers can also be used for sending configuration updates or controlling requests to manage a network device.
- SNMP Agents (software application) provide information from the network devices to the SNMP Managers. Network devices include workstations, routers, microwave radios, and other network components.
- MIBs are used for communication between the Managers and the Agents. The OIDs of the MIBs enable the Managers and Agents to communicate specific data requests and data returns.



Instant MIBs support SNMPv1, SNMPv2, and SNMPv3. For information on configuring SNMP through the Instant UI, see *Dell Networking W-Series Instant Access Point 6.4.0.2-4.1 User Guide*.

To retrieve information from a MIB, the following information is required:

- SNMP version
- SNMP community name—*public* or *private*
- The IP Address of the virtual controller
- The OID of the MIB object

Table 5: MIB Keywords

Keyword	Description
Sequence	Refers to the sequence of objects of the MIB. This keyword is used with entry MIB objects to list the MIB objects that exchange information.
Syntax	Textual conventions, for example, <i>Integer32</i> .
Max-Access	Defines the object accessibility: <ul style="list-style-type: none"> • <i>read-only</i>: Can be retrieved but not modified • <i>read-write</i>: Can be retrieved and modified • <i>not-accessible</i>: Cannot be retrieved; it is for internal (device) use only • <i>accessible-for-notify</i>: Can be retrieved when a trap message (notification) is sent
Status	Defines the status of the object: <ul style="list-style-type: none"> • <i>current</i>: Indicates that the object status is up-to-date and valid. • <i>deprecated</i>: Indicates an obsolete definition. It permits new or continued implementation to maintain interoperability with existing implementations. • <i>obsolete</i>: Obsolete. It should not be implemented and/or can be removed if previously implemented.
Description	A text string that describes the object.

In addition, MIB files can be placed in the appropriate disk location to assist the user in locating desired OID values for monitoring.

It is assumed that the workstation is connected to the Instant and a MIB browser is available. For most applications, the *root* of the MIB must be included in the OID—the OID begins with a decimal point as shown below.

```
.1.3.6.1.4.1.674.2.2.1.1.2.1
```

If you are using an application that is run through the Linux shell, you can use the following commands shown as examples:

- `snmpget -v1 -c <community name> <Instant IP address> <MIB OID/MIB name>`
- `snmpget -v2c -c <community name> <Instant IP address> <MIB OID/ MIB name>`
- `snmpget -v3 -c <community name> <Instant IP address> <MIB OID/ MIB name>`

The MIB objects can also be viewed from a MIB Browser GUI.

This chapter provides information on using MIBs.

- [Downloading MIB Files on page 25](#)
- [Reporting WLAN Health on page 25](#)
- [Reading MIB Files on page 26](#)
- [SNMP File on page 29](#)
- [HP OpenView on page 29](#)

Downloading MIB Files

The latest Instant MIB files are available for registered customers at download.dell-pcw.com.

For assistance to set up an account and access files, contact customer service. See [Contacting Dell on page 21](#).

Reporting WLAN Health

SNMP MIBs are frequently used for running health checks on Dell Networking W-Series Instant devices, through a MIB browser application.

To retrieve information from a MIB, the following information is required:

- SNMP version
- SNMP community name—*public* or *private*
- The IP Address of the Virtual Controller and the slave W-IAPs
- The OID of the MIB value you want to monitor

MIB files can be placed in the appropriate disk location to assist the user in locating desired OID values for monitoring. For most applications, the *root* of the MIB must be included in the OID—the OID begins with a decimal point as shown in the following example:

```
.1.3.6.1.4.1.674.2.2.1.1.2.1
```

SNMP Operations on W-IAPs

Although the virtual controller address is configured on management station, the following MIBs are specific to a particular W-IAP and therefore cannot be accessed from the Virtual Controller.

- [ifTable](#)
- [ifXTable](#)
- [dot1qTpFdbTable](#)

To enable the management station to access the IF-MIB and Q-BRIDGE-MIB tables and W-IAPs to send traps, you must configure the IP address of each W-IAP on the management station. The management station can automatically configure the W-IAP details, by obtaining the IP address of each W-IAP from the AP MIB ([aiAccessPointTable](#)), which lists all the slave W-IAPs in a swarm and is implemented on a virtual controller.



You do not have to set the SNMP community string and security parameters on each W-IAP as this configuration is common to all W-IAPs and is inherited from virtual controller.

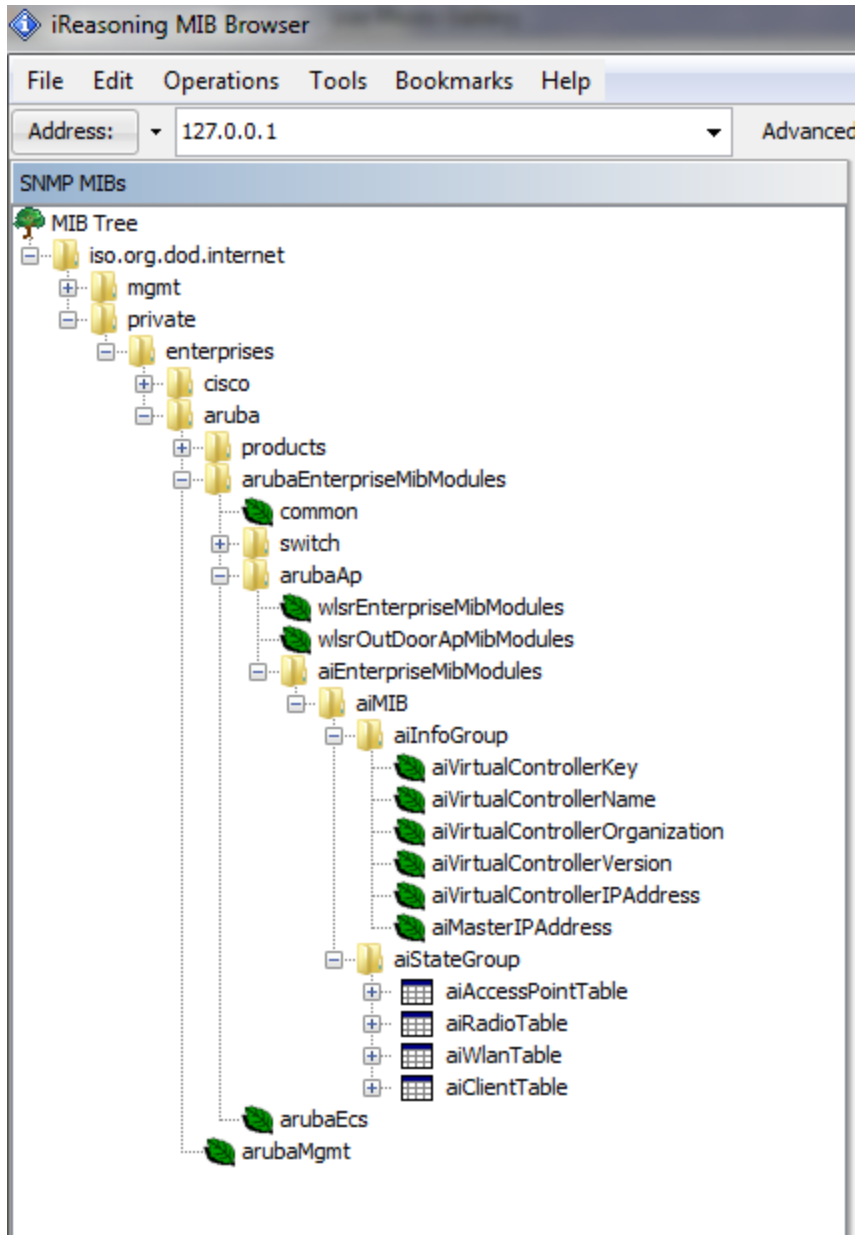
MIB Browsers

The following is an example of `snmpget` command to obtain information.

```
[root@localhost ~]# snmpget -v 2c -c public 10.65.77.8 .1.3.6.1.4.1.14823.2.3.3.1.1.2.0
SNMPv2-SMI::enterprises.14823.2.3.3.1.1.2.0 = STRING: "Instant-CB:A5:52"
```

Figure 2 shows how information may be obtained through a graphical user interface (GUI). The user interface and the available features vary by application.

Figure 2 *Graphical User Interface*



Reading MIB Files

This section describes how to interpret the basic components of a MIB file. To determine the OIDs, view the file `snmp.h`. For more information, see [SNMP File](#) on page 29.

MIB files describe a specific component of a network device. The files are numerical strings that are converted to ASCII text by the compiler of the SNMP manager. A word processor or text editor can be used to open the ASCII file. The contents of an example Dell enterprise MIB file are as follows:

Opening Line

Following is the opening line, the beginning of the MIB file.

```
AI-AP-MIB DEFINITIONS ::= BEGIN
```

Imports

The *Imports* section lists the objects that are defined in external ASN.1 files and are used in the current MIB file.

```
IMPORTS
TEXTUAL-CONVENTION
FROM SNMPv2-TC

MODULE-IDENTITY,
OBJECT-TYPE,
snmpModules,
Integer32,
Counter32,
Counter64,
IpAddress,
NOTIFICATION-TYPE
FROM SNMPv2-SMI

DisplayString,
PhysAddress,
TimeInterval,
RowStatus,
StorageType,
TestAndIncr,
MacAddress,
TruthValue
FROM SNMPv2-TC

OBJECT-GROUP
FROM SNMPv2-CONF
aiEnterpriseMibModules
FROM ARUBA-MIB;
```

Inheritance

This section shows the vendor of the MIB and the inheritance, and provides an overall description.

A significant part of inheritance is the OID. The entire OID is not listed for each MIB object—instead, the parent of the object is shown. The OID can be determined from the parent object as follows.

aiEnterpriseMibModules is the parent object—its OID is 1.3.6.1.4.1.14823.2.3.3.

aiStateGroup OBJECT IDENTIFIER ::= { aiMIB 2 }, the OID is 1.3.6.1.4.1.14823.2.3.3.1.2.

aiVirtualControllerKey OBJECT-TYPE, the OID is 1.3.6.1.4.1.14823.2.3.3.1.1.0.

All MIBs and their related OIDs are listed in the snmp file. For more information, see [SNMP File on page 29](#).

aiEnterpriseMibModules

```
FROM ARUBA-MIB;
```

Identity

Identity is the opening description of the MIB. The information includes contact information for the vendor and a general description of the MIB.

```
aiMIB MODULE-IDENTITY
    LAST-UPDATED "0804160206Z"
    ORGANIZATION "Aruba Wireless Networks"
    CONTACT-INFO
        "Postal: 1322 Crossman Avenue
        Sunnyvale, CA 94089
        E-mail: dl-support@arubanetworks.com
        Phone: +1 408 227 4500"
    DESCRIPTION
        "This MIB is for managing Dell Networking W-Series Instant WLAN"
    REVISION "0804160206Z"
    DESCRIPTION
        "The initial revision."
    ::= { aiEnterpriseMibModules 1 }
```

MIB Modules

MIB objects can be placed in logical groups such as [Group](#) and [Table](#). A group typically contains at least one global-object or table. The table lists the MIB objects that contain the information exchanged.

The first object of a table is an [Entry](#). The OIDs of the subsequent objects of this table are appended increments of the Entry OID.

The keyword SEQUENCE lists the objects of the table that contain device information. Each subsequent object (Informative MIB Object) inherits the OID of the Entry, and contains information sorted by the Syntax, Access, Status, and Description keywords.

Group

```
aiStateGroup OBJECT IDENTIFIER ::= { aiMIB 2 }
```

Table

```
aiAccessPointTable OBJECT-TYPE
    SYNTAX SEQUENCE OF AiAccessPointEntry
    MAX-ACCESS not-accessible
    STATUS current
    DESCRIPTION
        "This contains all access points connected to the
        virtual controller. This table is empty on AP where
        virtual controller is not active"
    ::= { aiStateGroup 1 }
```

Entry

```
aiAccessPointEntry OBJECT-TYPE
    SYNTAX AiAccessPointEntry
    MAX-ACCESS not-accessible
    STATUS current
```

```

DESCRIPTION
" "
INDEX { aiAPMACAddress }
 ::= { aiAccessPointTable 1 } AiAccessPointEntry ::=
SEQUENCE {
aiAPMACAddress MacAddress,
aiAPName DisplayString,
aiAPIPAddress IpAddress,
aiAPSerialNum DisplayString,
aiAPModel OBJECT IDENTIFIER,
aiAPModelName DisplayString,
aiAPCPUUtilization Integer32,
aiAPMemoryFree Integer32,
aiAPUptime TimeTicks

```

Closing Line

Following is the closing line—the end of the MIBs file.

```
END
```

SNMP File

The `snmp.h` file lists the OIDs of all MIBs. Following are sections from `snmp.h` that show the complete OID of each of the Controller Transport Service (CTS) MIB elements. The list starts from the ancestral parent *iso*.

The SNMP file with all Dell MIBs is listed in [Standard SNMP MIBs on page 49](#).

All Instant MIBs inherit their OIDs from the Dell MIB node. The following rows list the MIBs that precede CTS, starting from <i>iso</i> .	
{ "iso",	HASHNEXT ("1") },
{ "org",	HASHNEXT ("1.3") },
{ "dod",	HASHNEXT ("1.3.6") },
{ "internet",	HASHNEXT ("1.3.6.1") },
{ "private",	HASHNEXT ("1.3.6.1.4") },
{ "enterprises",	HASHNEXT ("1.3.6.1.4.1") },
{ "aruba",	HASHNEXT ("1.3.6.1.4.1.14823") },
{ "arubaEnterpriseMibModules",	HASHNEXT ("1.3.6.1.4.1.14823.2") },

HP OpenView

To install the MIB module for HP OpenView, log in as the root user and execute the following script:

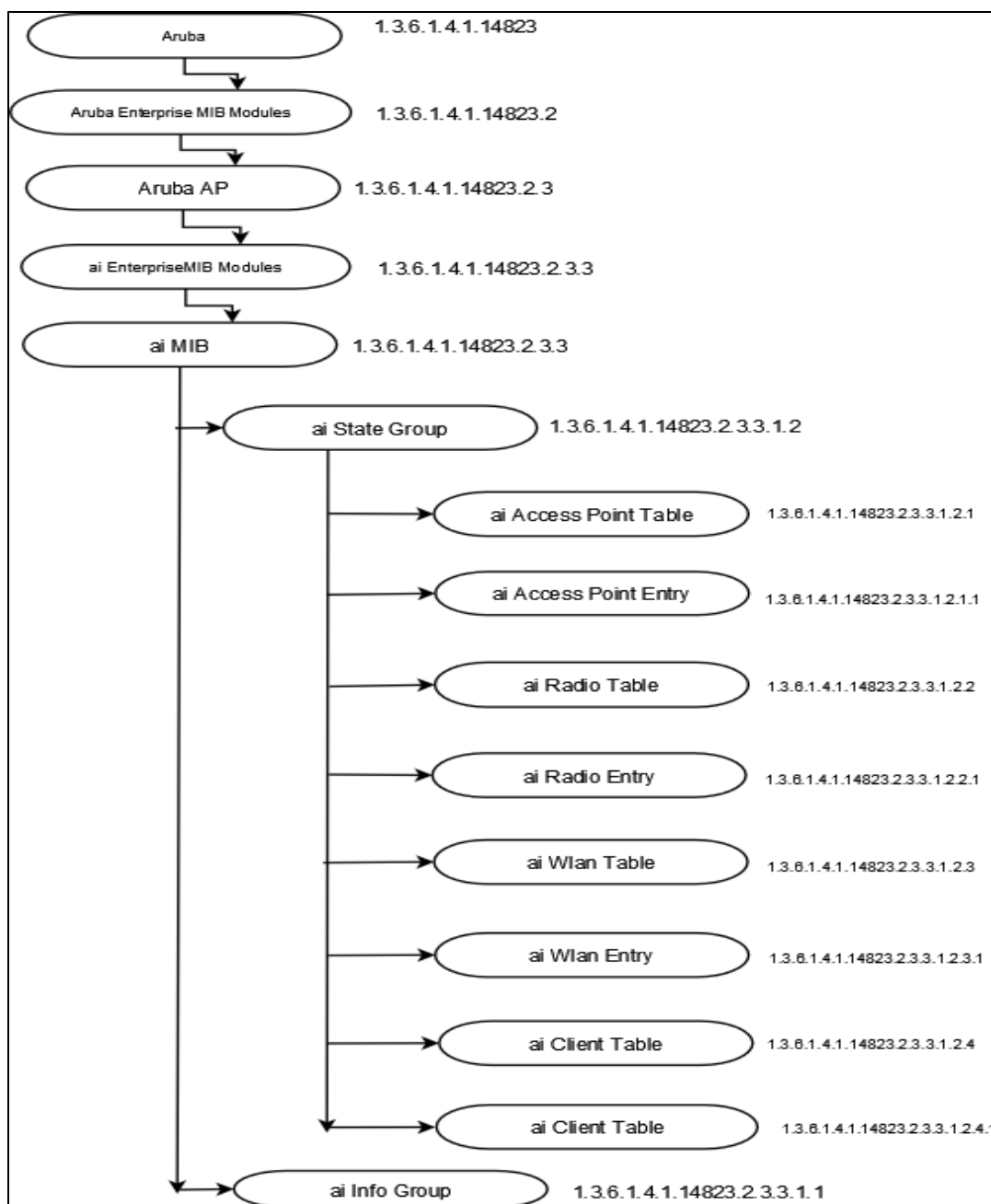
```
# $OV_CONTRIB/NNM/Aruba/install
```

This chapter provides information about the Instant MIB objects.

Figure 3 shows the architecture of the Instant MIB relative to 1.3.6.1.4.1.14823 (iso.org.dod.internet.private.enterprise.aruba).

The Instant MIB is listed in the file *aruba-instant.my*. For information about downloading the MIB file, see [Downloading MIB Files on page 25](#).

Figure 3 MIB Hierarchy



The Instant MIB tree consists of the following MIB groups and tables.

Table 6: *Supported Instant MIBs and MIB Tables*

Group	Description
aiInfoGroup	Contains details of the virtual controller. For more information, see aiInfoGroup on page 31 .
aiStateGroup	<p>Contains information about status of the Access Point, Radio, WLAN, and Clients connected to a W-IAP. The following tables are available in the aiInfoGroup:</p> <ul style="list-style-type: none"> ● aiAccessPointTable—Contains all the access points connected to the virtual controller. This table is indexed by the MAC Address of the W-IAP. ● aiRadioTable—Contains all the radios of the access points connected to the virtual controller. This table is indexed by the MAC Address and radio number. ● aiWlanTable—Contains all the BSSIDs that are active on the virtual controller. This table is indexed by the MAC address and a WLAN Index of the W-IAP. ● aiClientTable—Contains information about all the clients connected to the virtual controller. When a client roams from one access point to another, all the counters in this table are reset to 0. <p>For more information, see aiStateGroup on page 33.</p>
aiTrapGroup	Contains the details of traps that can be generated on a W-IAP. For more information, see Trap Hierarchy on page 63 .

aiInfoGroup

The aiInfoGroup table provides information about the virtual controller:

- aiVirtualControllerKey
- aiVirtualControllerName
- aiVirtualControllerOrganization
- aiVirtualControllerVersion
- aiVirtualControllerIPAddress
- aiMasterIPAddress

aiVirtualControllerKey

Object ID	1.3.6.1.4.1.14823.2.3.3.1.1.1
Syntax	DisplayString
Max-Access	Read-only
Status	Current
Description	Unique Virtual Controller key

aiVirtualControllerName

Object ID	1.3.6.1.4.1.14823.2.3.3.1.1.2
Syntax	DisplayString
Max-Access	Read-only
Status	Current
Description	Name of the Virtual Controller

aiVirtualControllerOrganization

Object ID	1.3.6.1.4.1.14823.2.3.3.1.1.3
Syntax	DisplayString
Max-Access	Read-only
Status	Current
Description	Virtual Controller organization

aiVirtualControllerVersion

Object ID	1.3.6.1.4.1.14823.2.3.3.1.1.4
Syntax	DisplayString
Max-Access	Read-only
Status	Current
Description	Software version of the Virtual Controller

aiVirtualControllerIPAddress

Object ID	1.3.6.1.4.1.14823.2.3.3.1.1.5
Syntax	IPAddress
Max-Access	Read-only
Status	Current
Description	IP address of the Virtual Controller. If this is not set, returns 0.0.0.0.

aiMasterIPAddress

Object ID	1.3.6.1.4.1.14823.2.3.3.1.1.6
Syntax	IPAddress
Max-Access	Read-only
Status	Current
Description	IP address of the master W-IAP.

aiStateGroup

The aiStateGroup contains the following tables:

- [aiAccessPointTable](#)
- [aiRadioTable](#)
- [aiWlanTable](#)
- [aiClientTable](#)

aiAccessPointTable

The objects of the **aiAccessPointTable** provide information about all the W-IAPs connected to the virtual controller.

Table 7: *aiAccessPointTable OIDs*

Object	Object ID	Entry OID
aiAccessPointEntry	1.3.6.1.4.1.14823.2.3.3.1.2.1.1	aiAccessPointTable 1
aiAPMACAddress	1.3.6.1.4.1.14823.2.3.3.1.2.1.1.1	aiAccessPointEntry 1
aiAPName	1.3.6.1.4.1.14823.2.3.3.1.2.1.1.2	aiAccessPointEntry 2
aiAPIPAddress	1.3.6.1.4.1.14823.2.3.3.1.2.1.1.3	aiAccessPointEntry 3
aiAPSerialNum	1.3.6.1.4.1.14823.2.3.3.1.2.1.1.4	aiAccessPointEntry 4
aiAPModel	1.3.6.1.4.1.14823.2.3.3.1.2.1.1.5	aiAccessPointEntry 5
aiAPModelName	1.3.6.1.4.1.14823.2.3.3.1.2.1.1.6	aiAccessPointEntry 6
aiAPCPUUtilization	1.3.6.1.4.1.14823.2.3.3.1.2.1.1.7	aiAccessPointEntry 7
aiAPMemoryFree	1.3.6.1.4.1.14823.2.3.3.1.2.1.1.8	aiAccessPointEntry 8
aiAPUptime	1.3.6.1.4.1.14823.2.3.3.1.2.1.1.9	aiAccessPointEntry 9
aiAPTtotalMemory	1.3.6.1.4.1.14823.2.3.3.1.2.1.1.10	aiAccessPointEntry 10
aiAPStatus	1.3.6.1.4.1.14823.2.3.3.1.2.1.1.11	aiAccessPointEntry 11

aiAccessPointEntry

Syntax	aiAccessPointEntry
Max-Access	not-accessible
Status	current
Description	NA
Index	aiAPMACAddress

aiAPMACAddress

Syntax	MacAddress (OCTET STRING). Hint: 1x:
Max-Access	read-only
Status	current
Description	MAC address of the Access Point.

aiAPName

Syntax	DisplayString (SIZE(0..64))
Max-Access	read-only
Status	current
Description	Name of the Access Point.

aiAPIPAddress

Syntax	IpAddress
Max-Access	read-only
Status	current
Description	IP address of the Access Point.

aiAPSerialNum

Syntax	DisplayString (SIZE(0..64))
Max-Access	read-only
Status	current
Description	Serial number of the Access Point.

aiAPModel

Syntax	OBJECT IDENTIFIER
Max-Access	read-only
Status	current
Description	AP model

aiAPModelName

Syntax	DisplayString (SIZE(0..32))
Max-Access	read-only
Status	current
Description	Model name of the Access Point.

aiAPCPUUtilization

Syntax	Integer32
Max-Access	read-only
Status	current
Description	CPU utilization of the Access Point.

aiAPMemoryFree

Syntax	Integer32
Max-Access	read-only
Status	current
Description	Amount of memory free in the access point in bytes.

aiAPUptime

Syntax	TimeTicks
Max-Access	read-only
Status	current
Description	Uptime of the Access Point.

aiAPTtotalMemory

Syntax	Integer32
Max-Access	read-only
Status	current
Description	Total amount of memory available in the AP in bytes.

aiAPStatus

Syntax	Integer {up(1), down(2)}
Max-Access	read-only
Status	current
Description	Indicates the Access Point Status.

aiRadioTable

The objects of the aiRadioTable provide information about all the radios and the related information of the Access Points.

Table 8: aiRadioTable OIDs

Object	Object ID	Entry OID
aiRadioEntry	1.3.6.1.4.1.14823.2.3.3.1.2.2.1	aiRadioTable 1
aiRadioAPMacAddress	1.3.6.1.4.1.14823.2.3.3.1.2.2.1.1	aiRadioEntry 1
aiRadioIndex	1.3.6.1.4.1.14823.2.3.3.1.2.2.1.2	aiRadioEntry 2
aiRadioMACAddress	1.3.6.1.4.1.14823.2.3.3.1.2.2.1.3	aiRadioEntry 3
aiRadioChannel	1.3.6.1.4.1.14823.2.3.3.1.2.2.1.4	aiRadioEntry 4
aiRadioTransmitPower	1.3.6.1.4.1.14823.2.3.3.1.2.2.1.5	aiRadioEntry 5
aiRadioNoiseFloor	1.3.6.1.4.1.14823.2.3.3.1.2.2.1.6	aiRadioEntry 6
aiRadioUtilization4	1.3.6.1.4.1.14823.2.3.3.1.2.2.1.7	aiRadioEntry 7
aiRadioUtilization64	1.3.6.1.4.1.14823.2.3.3.1.2.2.1.8	aiRadioEntry 8
aiRadioTxTotalFrames	1.3.6.1.4.1.14823.2.3.3.1.2.2.1.9	aiRadioEntry 9
aiRadioTxMgmtFrames	1.3.6.1.4.1.14823.2.3.3.1.2.2.1.10	aiRadioEntry 10
aiRadioTxDataFrames	1.3.6.1.4.1.14823.2.3.3.1.2.2.1.11	aiRadioEntry 11
aiRadioTxDataBytes	1.3.6.1.4.1.14823.2.3.3.1.2.2.1.12	aiRadioEntry 12
aiRadioTxDrops	1.3.6.1.4.1.14823.2.3.3.1.2.2.1.13	aiRadioEntry 13

Object	Object ID	Entry OID
aiRadioTxTotalFrames	1.3.6.1.4.1.14823.2.3.3.1.2.2.1.14	aiRadioEntry 14
aiRadioRxDataFrames	1.3.6.1.4.1.14823.2.3.3.1.2.2.1.15	aiRadioEntry 15
aiRadioRxDataBytes	1.3.6.1.4.1.14823.2.3.3.1.2.2.1.16	aiRadioEntry 16
aiRadioRxMgmtFrames	1.3.6.1.4.1.14823.2.3.3.1.2.2.1.17	aiRadioEntry 17
aiRadioRxBad	1.3.6.1.4.1.14823.2.3.3.1.2.2.1.18	aiRadioEntry 18
aiRadioPhyEvents	1.3.6.1.4.1.14823.2.3.3.1.2.2.1.19	aiRadioEntry 19
aiRadioStatus	1.3.6.1.4.1.14823.2.3.3.1.2.2.1.20	aiRadioEntry 20

aiRadioEntry

Syntax	aiRadioEntry
Max-Access	not-accessible
Status	current
Description	NA
Index	aiRadioAPMACAddress, aiRadioIndex

aiRadioAPMacAddress

Syntax	MacAddress (OCTET STRING). Hint: 1x:
Max-Access	read-only
Status	current
Description	MAC Address of the Access Point where this radio is active.

aiRadioIndex

Syntax	Integer32
Max-Access	read-only
Status	current
Description	Radio number of the Access Point.

aiRadioMACAddress

Syntax	MacAddress
Max-Access	read-only
Status	current
Description	Radio MAC address of the Access Point.

aiRadioChannel

Syntax Integer32

Max-Access read-only

Status current

Description Radio channel. The first byte contains primary channel and first two bits of second byte contains indicator for the secondary channel. If first two bits of second byte are 0, it is a 20MHz channel. If first two bits of second byte are 01, the secondary channel is above primary channel, if first two bits of second byte are 10, the secondary channel is below the primary channel.

aiRadioTransmitPower

Syntax Integer32

Max-Access read-only

Status current

Description Radio transmission power of the Access Point.

aiRadioNoiseFloor

Syntax Integer32

Max-Access read-only

Status current

Description Radio noise of the Access Point in dBm.

aiRadioUtilization4

Syntax Integer32

Max-Access read-only

Status current

Description Radio channel utilization 4 second average.

aiRadioUtilization64

Syntax Integer32

Max-Access read-only

Status current

Description Radio channel utilization 64 second average.

aiRadioTxTotalFrames

Syntax	Counter32
Max-Access	read-only
Status	current
Description	Total number of frames transmitted.

aiRadioTxMgmtFrames

Syntax	Counter32
Max-Access	read-only
Status	current
Description	Total number of management frames transmitted.

aiRadioTxDataFrames

Syntax	Counter32
Max-Access	read-only
Status	current
Description	Total number of data frames transmitted.

aiRadioTxDataBytes

Syntax	Counter32
Max-Access	read-only
Status	current
Description	Total number of data bytes transmitted.

aiRadioTxDrops

Syntax	Counter32
Max-Access	read-only
Status	current
Description	Total number of frames dropped during transmission.

aiRadioRxTotalFrames

Syntax	Counter32
Max-Access	read-only
Status	current
Description	Total number of received frames.

aiRadioRxDataFrames

Syntax	Counter32
Max-Access	read-only
Status	current
Description	Total number of received data frames.

aiRadioRxDataBytes

Syntax	Counter32
Max-Access	read-only
Status	current
Description	Total number of received data bytes.

aiRadioRxMgmtFrames

Syntax	Counter32
Max-Access	read-only
Status	current
Description	Total number of received management frames.

aiRadioRxBad

Syntax	Counter32
Max-Access	read-only
Status	current
Description	Total number of frames received in error.

aiRadioPhyEvents

Syntax	Counter32
Max-Access	read-only
Status	current
Description	Number of physical layer events that indicates frames not received because of interference.

aiRadioStatus

Syntax	Integer {up(1), down(2)}
Max-Access	read-only
Status	current
Description	Indicates the radio status of the AP.

aiWlanTable

The objects of the aiWlanTable provide information about all the BSSIDs active on the virtual controller.

Table 9: *aiWlanTable OIDs*

Object	Object ID	Entry OID
aiWlanEntry	1.3.6.1.4.1.14823.2.3.3.1.2.3.1	aiWlanTable 1
aiWlanAPMACAddress	1.3.6.1.4.1.14823.2.3.3.1.2.3.1.1	aiWlanEntry 1
aiWlanIndex	1.3.6.1.4.1.14823.2.3.3.1.2.3.1.2	aiWlanEntry 2
aiWlanESSID	1.3.6.1.4.1.14823.2.3.3.1.2.3.1.3	aiWlanEntry 3
aiWlanMACAddress	1.3.6.1.4.1.14823.2.3.3.1.2.3.1.4	aiWlanEntry 4
aiWlanTxTotalFrames	1.3.6.1.4.1.14823.2.3.3.1.2.3.1.5	aiWlanEntry 5
aiWlanTxDataFrames	1.3.6.1.4.1.14823.2.3.3.1.2.3.1.6	aiWlanEntry 6
aiWlanTxDataBytes	1.3.6.1.4.1.14823.2.3.3.1.2.3.1.7	aiWlanEntry 7
aiWlanRxTotalFrames	1.3.6.1.4.1.14823.2.3.3.1.2.3.1.8	aiWlanEntry 8
aiWlanRxDataFrames	1.3.6.1.4.1.14823.2.3.3.1.2.3.1.9	aiWlanEntry 9
aiWlanRxDataBytes	1.3.6.1.4.1.14823.2.3.3.1.2.3.1.10	aiWlanEntry 10

aiWlanEntry

Syntax	AiWlanEntry
Max-Access	not-accessible
Status	current
Description	NA
Index	aiWlanAPMACAddress, aiWlanIndex

aiWlanAPMACAddress

Syntax	MacAddress (OCTET STRING). Hint: 1x:
Max-Access	read-only
Status	current
Description	MAC Address of the Access Point where WLAN is active.

aiWlanIndex

Syntax	Integer32
Max-Access	read-only
Status	current
Description	Index of the WLAN. This is a unique index assigned to the active WLAN on the Access Point.

aiWlanESSID

Syntax	DisplayString
Max-Access	read-only
Status	current
Description	ESSID of the WLAN

aiWlanMACAddress

Syntax	MacAddress (OCTET STRING). Hint: 1x:
Max-Access	read-only
Status	current
Description	BSSID of the WLAN

aiWlanTxTotalFrames

Syntax	Counter32
Max-Access	read-only
Status	current
Description	Total number of frames transmitted.

aiWlanTxDataFrames

Syntax	Counter32
Max-Access	read-only
Status	current
Description	Total number of data frames transmitted.

aiWlanTxDataBytes

Syntax	Counter32
Max-Access	read-only
Status	current
Description	Total number of data bytes transmitted.

aiWlanRxTotalFrames

Syntax	Counter32
Max-Access	read-only
Status	current
Description	Total number of received frames.

aiWlanRxDataFrames

Syntax	Counter32
Max-Access	read-only
Status	current
Description	Total number of received data frames.

aiWlanRxDataBytes

Syntax	Counter32
Max-Access	read-only
Status	current
Description	Total number of received data bytes.

aiClientTable

The objects of the aiWlanTable provide information about all the clients connected to the virtual controller.

Table 10: *aiClientTable OID*

Object	Object ID	Entry OID
aiClientEntry	1.3.6.1.4.1.14823.2.3.3.1.2.4.1	aiClientTable 1
aiClientMACAddress	1.3.6.1.4.1.14823.2.3.3.1.2.4.1.1	aiClientEntry 1
aiClientWlanMACAddress	1.3.6.1.4.1.14823.2.3.3.1.2.4.1.2	aiClientEntry 2
aiClientIPAddress	1.3.6.1.4.1.14823.2.3.3.1.2.4.1.3	aiClientEntry 3
aiClientAPIPAddress	1.3.6.1.4.1.14823.2.3.3.1.2.4.1.4	aiClientEntry 4
aiClientName	1.3.6.1.4.1.14823.2.3.3.1.2.4.1.5	aiClientEntry 5
aiClientOperatingSystem	1.3.6.1.4.1.14823.2.3.3.1.2.4.1.6	aiClientEntry 6
aiClientSNR	1.3.6.1.4.1.14823.2.3.3.1.2.4.1.7	aiClientEntry 7
aiClientTxDataFrames	1.3.6.1.4.1.14823.2.3.3.1.2.4.1.8	aiClientEntry 8
aiClientTxDataBytes	1.3.6.1.4.1.14823.2.3.3.1.2.4.1.9	aiClientEntry 9
aiClientTxRetries	1.3.6.1.4.1.14823.2.3.3.1.2.4.1.10	aiClientEntry 10
aiClientTxRate	1.3.6.1.4.1.14823.2.3.3.1.2.4.1.11	aiClientEntry 11
aiClientRxDataFrames	1.3.6.1.4.1.14823.2.3.3.1.2.4.1.12	aiClientEntry 12
aiClientRxDataBytes	1.3.6.1.4.1.14823.2.3.3.1.2.4.1.13	aiClientEntry 13
aiClientRxRetries	1.3.6.1.4.1.14823.2.3.3.1.2.4.1.14	aiClientEntry 14
aiStateGroup	1.3.6.1.4.1.14823.2.3.3.1.2.4.1.15	aiClientEntry 15
aiClientUptime	1.3.6.1.4.1.14823.2.3.3.1.2.4.1.16	aiClientEntry 16

aiClientEntry

Syntax	aiClientEntry
Max-Access	not-accessible
Status	current
Description	NA
Index	aiClientMACAddress

aiClientMACAddress

Syntax	MacAddress (OCTET STRING). Hint: 1x:
Max-Access	read-only
Status	current
Description	MAC Address of the client.

aiClientWlanMACAddress

Syntax	MacAddress
Max-Access	read-only
Status	current
Description	BSSID of WLAN where client is associated.

aiClientIPAddress

Syntax	IpAddress
Max-Access	read-only
Status	current
Description	IP address of the client.

aiClientAPIPAddress

Syntax	IpAddress
Max-Access	read-only
Status	current
Description	Radio channel. First byte contains primary channel and first two bits on second byte contains indicator for secondary channel. If first two bits of second byte is 0, it is a 20MHz channel. If first two bits of second byte is 01, secondary channel is above primary channel, if first two bits of second by is 10, secondary channel is below the primary channel.

aiClientName

Syntax	
Max-Access	read-only
Status	current
Description	Name of the user using the client.

aiClientOperatingSystem

Syntax	
Max-Access	read-only
Status	current
Description	Operating system of the client.

aiClientSNR

Syntax	
Max-Access	read-only
Status	current
Description	Signal to noise ratio of the client connected to the Access Point

aiClientTxDataFrames

Syntax	
Max-Access	read-only
Status	current
Description	Total number of frames transmitted by the client.

aiClientTxDataBytes

Syntax	
Max-Access	read-only
Status	current
Description	Total number of bytes transmitted by the client.

aiClientTxRetries

Syntax	
Max-Access	read-only
Status	current
Description	Total number of retry frames transmitted by the client.

aiClientTxRate

Syntax	Integer32
Max-Access	read-only
Status	current
Description	Transmission rate of the client in mbps.

aiClientRxDataFrames

Syntax	
Max-Access	read-only
Status	current
Description	Total number of frames received by the client in mbps.

aiClientRxDataBytes

Syntax	
Max-Access	read-only
Status	current
Description	Total number of bytes received by the client in mbps.

aiClientRxRetries

Syntax	
Max-Access	read-only
Status	current
Description	Total number of retry frames received by the client.

aiClientRxRate

Syntax	
Max-Access	read-only
Status	current
Description	Receiving rate of the client in mbps.

aiClientUptime

Syntax	TimeTicks
Max-Access	read-only
Status	current
Description	Client uptime. On mobility event all counters are reset to 0 and uptime resets to 0.

This chapter provides information on the following standard MIBs modules and tables supported in this release of Instant.

- System MIB
- dot1qTpFdbTable
- ifTable
- ifXTable

System MIB

The system MIB contains system-specific information about the W-IAP. The following system MIB objects are supported:

- **sysDescr**— Provides information on the W-IAP model and software version of the W-IAP.
- **sysObjectID**— Identifies the network management subsystem. The sysObjectID in the standard SNMP MIB can be used to retrieve OIDs for the W-IAPs. You can retrieve information on all node devices in the MIB file by extracting the sysObjectID for each device.

The sysObjectID returns OIDs for a specific model number of the device within the W-IAP product family. When an SNMP query is performed for this object on an AP IP address (either master W-IAP or slave W-IAP IP address), the AP type information is retrieved. However, if the query is performed on a Virtual Controller IP address, information on the W-IAP acting as the Virtual Controller is displayed.

For example, if a W-IAP135 is the master W-IAP, a query on this W-IAP returns the *iso.org.dod.internet.private.enterprise.aruba.products.apProducts.ap135* (1.3.6.1.4.1.14823.1.2.48) result. Similarly, a query on the Virtual Controller IP returns the OID details with **iapvc**.

- **sysUpTime**— Indicates the system up time since the W-IAP was initialized and actively connected to the network.
- **sysName**— Indicates the name of the W-IAP.
- **sysLocation**— Indicates the physical location of the W-IAP. To retrieve information on the AP location, the system location details for the W-IAP must be configured. For more information on configuring system location details, see Dell Networking W-Series Instant 6.4.0.2-4.1 *Access Point User Guide*.
- **sysServices**— Indicates the services offered by the W-IAP.

The following system MIB objects are not supported:

- sysContact
- sysORLastChange
- sysORTable

sysDescr

Object ID	1.3.6.1.2.1.1.1
Syntax	DisplayString
Max-Access	read-only
Status	mandatory
Description	A textual description of the entity. This value should include the full name and version identification of the system's hardware type, software operating-system, and networking software. It is mandatory that this only contains printable ASCII characters.

sysObjectID

Object ID	1.3.6.1.2.1.1.2
Syntax	Object Identifier
Max-Access	read-only
Status	mandatory
Description	The vendor's authoritative identification of the network management subsystem contained in the entity. This value is allocated within the SMI enterprises subtree (1.3.6.1.4.1) and provides an easy and unambiguous means for determining 'what kind of box' is being managed.

sysUpTime

Object ID	1.3.6.1.2.1.1.3
Syntax	TimeTicks
Max-Access	read-only
Status	mandatory
Description	The time (in hundredths of a second) since the network management portion of the system was last re-initialized.

sysName

Object ID	1.3.6.1.2.1.1.5
Syntax	DisplayString
Max-Access	read-write
Status	mandatory
Description	An administrator-assigned fully-qualified domain name for the managed node.

sysLocation

Object ID	1.3.6.1.2.1.1.6
Syntax	DisplayString
Max-Access	read-write
Status	mandatory
Description	System location of the W-IAP cluster

sysServices

Object ID	1.3.6.1.2.1.1.7
Syntax	Integer
Max-Access	read-only
Status	mandatory
Description	A value which indicates the set of services that the AP primarily offers.

dot1qTpFdbTable

This table contains information about the associated station MAC addresses, the corresponding port from the interface table, and status. The objects of the dot1qTpFdbTable provide information about the forwarding and filtering status of the clients connected to wired ports and wireless interfaces.

The dot1qTpFdbTable contains the following objects:

- [dot1qFdbId](#)
- [dot1qTpFdbAddress](#)
- [dot1qTpFdbPort](#)
- [dot1qTpFdbStatus](#)

dot1qFdbId

Object ID	1.3.6.1.2.1.17.7.1.2.1.1.1
Syntax	UNSIGNED32
Max-Access	not-accessible
Status	current
Description	The identity of the filtering database such as VLAN ID of the AP.

dot1qTpFdbAddress

Object ID	1.3.6.1.2.1.17.7.1.2.2.1.1
Syntax	MacAddress
Max-Access	not-accessible
Status	current
Description	MAC address for which the AP has forwarding or filtering information.

dot1qTpFdbPort

Object ID	1.3.6.1.2.1.17.7.1.2.2.1.2
Syntax	Integer32 (0..65535)
Max-Access	read-only
Status	current
Description	Port number on which a frame having a source address equal to the value of the corresponding instance of dot1qTpFdbAddress. The index value of ifTable is set as the port number field in this table. If the self MAC address is used, the index is 0.

dot1qTpFdbStatus

Object ID	1.3.6.1.2.1.17.7.1.2.2.1.3
Syntax	INTEGER { other(1), invalid(2), learned(3), self(4), mgmt(5) }
Max-Access	read-only
Status	current
Description	The status of the bridge entry is set as learned to indicate that the value of the corresponding instance of dot1qTpFdbPort was learned and is being used. If self MAC address is used, the status is set as self to indicate that the value of the corresponding instance of dot1qTpFdbAddress represents one of the device's addresses. The corresponding instance of dot1qTpFdbPort indicates which of the device's ports has this address.

ifTable

This table contains information about wired ports and wireless interfaces. The objects in this MIB provide information about the interfaces configured on a W-IAP. This table contains the following objects:

- [ifIndex](#)
- [ifDescr](#)
- [ifType](#)
- [ifMtu](#)
- [ifSpeed](#)
- [ifPhysAddress](#)

- ifAdminStatus
- ifOperStatus
- ifInOctets
- ifInUcastPkts
- ifInNUcastPkts
- ifInDiscards
- ifInErrors
- ifOutOctets
- ifOutUcastPkts
- ifInDiscards
- ifInErrors

The following ifTable objects are not supported:

- ifOutQLen
- ifSpecific
- ifInUnknownProtos
- ifLastChange

ifIndex

Object ID	1.3.6.1.2.1.2.2.1.1
Syntax	Integer32
Max-Access	read-only
Status	current
Description	<p>Value assigned to an interface.</p> <ul style="list-style-type: none"> • Ethernet interface value range: 1–49 • Radio 0 interface value range: 50–69. • Radio 1 interface range: 70–89. • GRE interface range: 90–09 • PPP interface range: 110–129 • VPN interface range: 130–150 • Other interfaces: From 500 onwards

ifDescr

Object ID	1.3.6.1.2.1.2.2.1.2
Syntax	DisplayString (size (0..255))
Max-Access	read-only
Status	current
Description	<p>Description of the interface, for example eth for Ethernet, radio0_ssid_id2,aruba102 for Radio0 interface, and radioX_ssid_idY for Radio1 interface.</p>

ifType

Object ID	1.3.6.1.2.1.2.2.1.3
Syntax	IANAifType
Max-Access	read-only
Status	current
Description	Type of the interface. For example, Gigabit Ethernet interface or Fast Ethernet.

ifMtu

Object ID	1.3.6.1.2.1.2.2.1.4
Syntax	Integer32
Max-Access	read-only
Status	current
Description	The size of the largest packet which can be sent or received on interface.

ifSpeed

Object ID	1.3.6.1.2.1.2.2.1.5
Syntax	Gauge32
Max-Access	read-only
Status	current
Description	The current bandwidth of the interface in bits per second.

ifPhysAddress

Object ID	1.3.6.1.2.1.2.2.1.6
Syntax	PhysAddress
Max-Access	read-only
Status	current
Description	Indicates the MAC address of the client.

ifAdminStatus

Object ID	1.3.6.1.2.1.2.2.1.7
Syntax	INTEGER
Max-Access	read-write
Status	current
Description	Administrative state of the interface.

ifOperStatus

Object ID	1.3.6.1.2.1.2.2.1.8
Syntax	INTEGER
Max-Access	read-only
Status	current
Description	Operational status of the interface.

ifInOctets

Object ID	1.3.6.1.2.1.2.2.1.10
Syntax	Counter32
Max-Access	read-only
Status	current
Description	Number of octets received on the interface.

ifInUcastPkts

Object ID	1.3.6.1.2.1.2.2.1.11
Syntax	Counter32
Max-Access	read-only
Status	current
Description	The number of packets, delivered by this sub-layer to a higher sub-layer, which were not addressed to a multicast or broadcast address at this sub-layer.

ifInNUcastPkts

Object ID	1.3.6.1.2.1.2.2.1.12
Syntax	Counter32
Max-Access	read-only
Status	current
Description	The number of packets, delivered by this sub-layer to a higher sub-layer, which were addressed to a multicast or broadcast address at this sub-layer.

ifInDiscards

Object ID	1.3.6.1.2.1.2.2.1.13
Syntax	Counter32
Max-Access	read-only
Status	current
Description	The number of inbound packets discarded.

ifInErrors

Object ID	1.3.6.1.2.1.2.2.1.14
Syntax	Counter32
Max-Access	read-only
Status	current
Description	The number of packets transmission units with errors.

ifOutOctets

Object ID	1.3.6.1.2.1.2.2.1.16
Syntax	Counter32
Max-Access	read-only
Status	current
Description	The total number of octets transmitted out of the interface.

ifOutUcastPkts

Object ID	1.3.6.1.2.1.2.2.1.17
Syntax	Counter32
Max-Access	read-only
Status	current
Description	The total number of packets that the higher-level protocols request for transmission, and the packets which are not addressed to a multicast or broadcast address at this sub-layer, including those that are discarded or not sent.

ifOutDiscards

Object ID	1.3.6.1.2.1.2.2.1.19
Syntax	Counter32
Max-Access	read-only
Status	current
Description	The number of outbound packets discarded even though no errors that prevented the transmission were detected.

ifOutErrors

Object ID	1.3.6.1.2.1.2.2.1.20
Syntax	Counter32
Max-Access	read-only
Status	current
Description	The number of outbound packets that could not be transmitted because of errors.

ifXTable

The ifXTable table contains the following additional objects for the interface table.

- [ifName](#)
- [ifInMulticastPkts](#)
- [ifInBroadcastPkts](#)
- [ifOutMulticastPkts](#)
- [ifOutBroadcastPkts](#)
- [ifHCInOctets](#)
- [ifHCInUcastPkts](#)
- [ifHCInMulticastPkts](#)
- [ifHCInBroadcastPkts](#)

- ifHCOctets
- ifHCOUcastPkts
- ifHCOmulticastPkts
- ifHCObroadcastPkts
- ifLinkUpDownTrapEnable
- ifPromiscuousMode
- ifConnectorPresent

The following ifXTable objects are not supported:

- ifHighSpeed
- ifAlias
- ifCounterDiscontinuityTime

ifName

Object ID	1.3.6.1.2.1.31.1.1.1.1
Syntax	DisplayString
Max-Access	read-only
Status	current
Description	Name of the interface

ifInMulticastPkts

Object ID	1.3.6.1.2.1.31.1.1.1.2
Syntax	Counter32
Max-Access	read-only
Status	current
Description	The number of packets, delivered by this sub-layer to a higher layer, which were addressed to a multicast or broadcast address at this sub-layer.

ifInBroadcastPkts

Object ID	1.3.6.1.2.1.31.1.1.1.3
Syntax	Counter32
Max-Access	read-only
Status	current
Description	The number of packets, delivered by this sub-layer to a higher layer, which were addressed to a multicast or broadcast address at this sub-layer

ifOutMulticastPkts

Object ID	1.3.6.1.2.1.31.1.1.1.4
Syntax	Counter32
Max-Access	read-only
Status	current
Description	The total number of packets that the higher-level protocols request for transmission, and which were addressed to a multicast or broadcast address at this sub-layer.

ifOutBroadcastPkts

Object ID	1.3.6.1.2.1.31.1.1.1.5
Syntax	Counter32
Max-Access	read-only
Status	current
Description	The total number of packets that higher-level protocols requested for transmission, and the packets which were addressed to a multicast or broadcast address at this sub-layer.

ifHCInOctets

Object ID	1.3.6.1.2.1.31.1.1.1.6
Syntax	Counter64
Max-Access	read-only
Status	current
Description	The total number of octets received on the interface, including framing characters. This object is a 64-bit version of ifInOctets.

ifHCInUcastPkts

Object ID	1.3.6.1.2.1.31.1.1.1.7
Syntax	Counter64
Max-Access	read-only
Status	current
Description	The number of packets, delivered by this sub-layer to a higher sub-layer, which were not addressed to a multicast or broadcast address at this sub-layer.

ifHCInMulticastPkts

Object ID	1.3.6.1.2.1.31.1.1.1.8
Syntax	Counter64
Max-Access	read-only
Status	current
Description	The number of packets, delivered by this sub-layer to a higher sub-layer, which were addressed to a multicast or broadcast address at this sub-layer.

ifHCInBroadcastPkts

Object ID	1.3.6.1.2.1.31.1.1.1.9
Syntax	Counter64
Max-Access	read-only
Status	current
Description	The number of packets, delivered by this sub-layer to a higher sub-layer, which were addressed to a multicast or broadcast address at this sub-layer.

ifHCOctets

Object ID	1.3.6.1.2.1.31.1.1.1.10
Syntax	Counter64
Max-Access	read-only
Status	current
Description	The total number of octets transmitted out of the interface, including framing characters.

ifHCOUcastPkts

Object ID	1.3.6.1.2.1.31.1.1.1.11
Syntax	Counter64
Max-Access	read-only
Status	current
Description	The total number of packets that higher-level protocols requested be transmitted, and which were not addressed to a multicast or broadcast address at this sub-layer, including those that were discarded or not sent.

ifHCOmulticastPkts

Object ID	1.3.6.1.2.1.31.1.1.1.12
Syntax	Counter64
Max-Access	read-only
Status	current
Description	The total number of packets that higher-level protocols requested be transmitted, and which were addressed to a multicast or broadcast address at this sub-layer, including those that were discarded or not sent.

ifHCObroadcastPkts

Object ID	1.3.6.1.2.1.31.1.1.1.13
Syntax	Counter64
Max-Access	read-only
Status	current
Description	The total number of packets that higher-level protocols requested be transmitted, and which were addressed to a multicast or broadcast address at this sub-layer, including those that were discarded or not sent.

ifLinkUpDownTrapEnable

Object ID	1.3.6.1.2.1.31.1.1.1.14
Syntax	Integer
Max-Access	read-write
Status	current
Description	Indicates whether linkUp or linkDown traps must be generated for this interface.

ifPromiscuousMode

Object ID	1.3.6.1.2.1.31.1.1.1.16
Syntax	Integer
Max-Access	TruthValue
Status	current
Description	This object has true (1) and false(2) values.

ifConnectorPresent

Object ID	1.3.6.1.2.1.31.1.1.1.17
Syntax	Integer
Max-Access	TruthValue
Status	current
Description	This object has True(1) value if there is any physical connector, else false (0) value.

This chapter defines the traps that can be generated by the W-IAP. Traps are MIB objects (variables) that transmit information to the SNMP Manager when an event occurs. Traps are included as varbinds (variable bindings) in the trap protocol data unit (PDU).

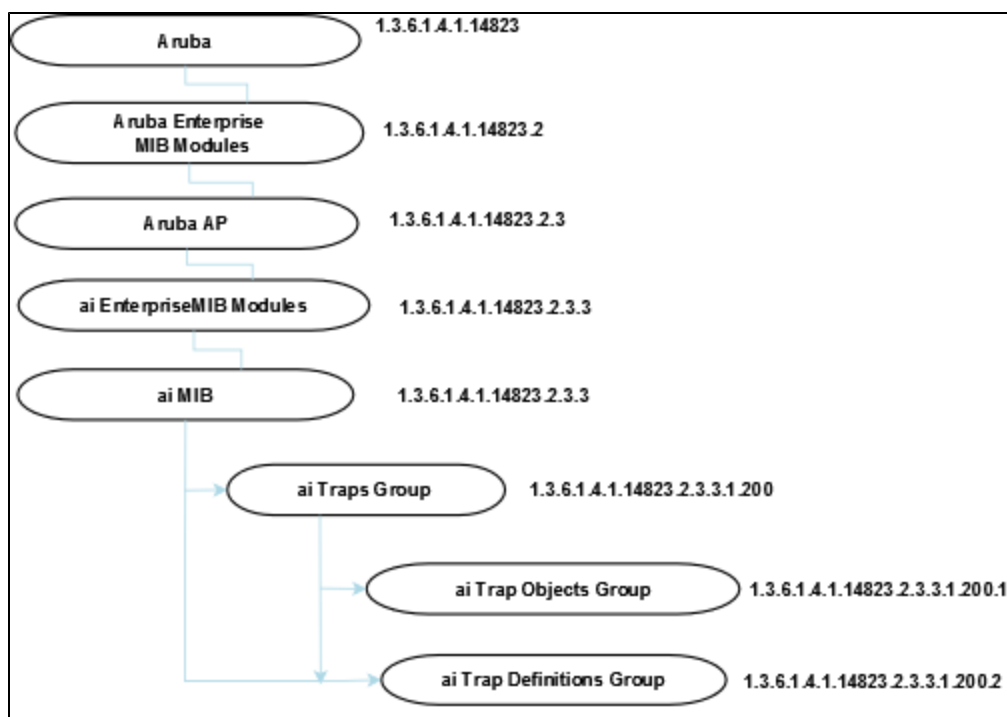


The traps for the W-IAP cluster are generated with the master W-IAP IP address as the source IP address. If the Virtual Controller IP is configured, the traps are generated from the Virtual Controller IP. However, the source IP address for the interface up and interface down traps is AP IP address.

Figure 4 shows the architecture of the Traps MIB relative to 1.3.6.1.4.1.14823 (iso.org.dod.internet.private.enterprise.aruba). The Traps are listed in the file *aruba-trap.my* MIB file. For information about downloading Instant MIB files, see [Downloading MIB Files on page 25](#).

Trap Hierarchy

Figure 4 Trap Hierarchy



The following table lists the supported trap objects in this group:

Table 11: *aiTraps Objects Group OIDs*

Object	Object ID	
wlsxTrapAPMacAddress	1.3.6.1.4.1.14823.2.3.3.1.200.1.1	wlsxTrapObjectsGroup 1
wlsxTrapAPIpAddress	1.3.6.1.4.1.14823.2.3.3.1.200.1.2	wlsxTrapObjectsGroup 2
wlsxTrapAPBSSID	1.3.6.1.4.1.14823.2.3.3.1.200.1.3	wlsxTrapObjectsGroup 3
wlsxTrapEssid	1.3.6.1.4.1.14823.2.3.3.1.200.1.4	wlsxTrapObjectsGroup 4
wlsxTrapTargetAPBSSID	1.3.6.1.4.1.14823.2.3.3.1.200.1.5	wlsxTrapObjectsGroup 5
wlsxTrapTargetAPSSID	1.3.6.1.4.1.14823.2.3.3.1.200.1.6	wlsxTrapObjectsGroup 6
wlsxTrapTargetAPChannel	1.3.6.1.4.1.14823.2.3.3.1.200.1.7	wlsxTrapObjectsGroup 7
wlsxTrapNodeMac	1.3.6.1.4.1.14823.2.3.3.1.200.1.8	wlsxTrapObjectsGroup 8
wlsxTrapSourceMac	1.3.6.1.4.1.14823.2.3.3.1.200.1.9	wlsxTrapObjectsGroup 9
wlsxReceiverMac	1.3.6.1.4.1.14823.2.3.3.1.200.1.10	wlsxTrapObjectsGroup 10
wlsxTrapTransmitterMac	1.3.6.1.4.1.14823.2.3.3.1.200.1.11	wlsxTrapObjectsGroup 11
wlsxTrapReceiverMac	1.3.6.1.4.1.14823.2.3.3.1.200.1.12	wlsxTrapObjectsGroup 12
wlsxTrapSnr	1.3.6.1.4.1.14823.2.3.3.1.200.1.13	wlsxTrapObjectsGroup 13
wlsxTrapSignatureName	1.3.6.1.4.1.14823.2.3.3.1.200.1.14	wlsxTrapObjectsGroup 14
wlsxTrapFrameType	1.3.6.1.4.1.14823.2.3.3.1.200.1.15	wlsxTrapObjectsGroup 15
wlsxTrapAddressType	1.3.6.1.4.1.14823.2.3.3.1.200.1.16	wlsxTrapObjectsGroup 16
wlsxTrapAPLocation	1.3.6.1.4.1.14823.2.3.3.1.200.1.17	wlsxTrapObjectsGroup 17
wlsxTrapAPChannel	1.3.6.1.4.1.14823.2.3.3.1.200.1.18	wlsxTrapObjectsGroup 18
wlsxTrapAPTxFPower	1.3.6.1.4.1.14823.2.3.3.1.200.1.19	wlsxTrapObjectsGroup 19
wlsxTrapMatchedMac	1.3.6.1.4.1.14823.2.3.3.1.200.1.20	wlsxTrapObjectsGroup 20
wlsxTrapMatchedIp	1.3.6.1.4.1.14823.2.3.3.1.200.1.21	wlsxTrapObjectsGroup 21
wlsxTrapRogueIfoURL	1.3.6.1.4.1.14823.2.3.3.1.200.1.22	wlsxTrapObjectsGroup 22
wlsxTrapVLANId	1.3.6.1.4.1.14823.2.3.3.1.200.1.23	wlsxTrapObjectsGroup 23
wlsxTrapAdminStatus	1.3.6.1.4.1.14823.2.3.3.1.200.1.24	wlsxTrapObjectsGroup 24
wlsxTrapOperStatus	1.3.6.1.4.1.14823.2.3.3.1.200.1.25	wlsxTrapObjectsGroup 25
wlsxTrapAuthServerName	1.3.6.1.4.1.14823.2.3.3.1.200.1.26	wlsxTrapObjectsGroup 26
wlsxTrapAuthServerTimeout	1.3.6.1.4.1.14823.2.3.3.1.200.1.27	wlsxTrapObjectsGroup 27

Table 11: aiTraps Objects Group OIDs

Object	Object ID	
wlsxTrapCardSlot	1.3.6.1.4.1.14823.2.3.3.1.200.1.28	wlsxTrapObjectsGroup 28
wlsxTrapTemperatureValue	1.3.6.1.4.1.14823.2.3.3.1.200.1.29	wlsxTrapObjectsGroup 29
wlsxTrapProcessName	1.3.6.1.4.1.14823.2.3.3.1.200.1.30	wlsxTrapObjectsGroup 30
wlsxTrapFanNumber	1.3.6.1.4.1.14823.2.3.3.1.200.1.31	wlsxTrapObjectsGroup 31
wlsxTrapVoltageType	1.3.6.1.4.1.14823.2.3.3.1.200.1.32	wlsxTrapObjectsGroup 32
wlsxTrapVoltageValue	1.3.6.1.4.1.14823.2.3.3.1.200.1.33	wlsxTrapObjectsGroup 33
wlsxTrapStationBlackListReason	1.3.6.1.4.1.14823.2.3.3.1.200.1.34	wlsxTrapObjectsGroup 34
wlsxTrapSpoofedIpAddress	1.3.6.1.4.1.14823.2.3.3.1.200.1.35	wlsxTrapObjectsGroup 35
wlsxTrapSpoofedOldPhyAddress	1.3.6.1.4.1.14823.2.3.3.1.200.1.36	wlsxTrapObjectsGroup 36
wlsxTrapSpoofedNewPhyAddress	1.3.6.1.4.1.14823.2.3.3.1.200.1.37	wlsxTrapObjectsGroup 37
wlsxTrapDBName	1.3.6.1.4.1.14823.2.3.3.1.200.1.38	wlsxTrapObjectsGroup 38
wlsxTrapDBUserName	1.3.6.1.4.1.14823.2.3.3.1.200.1.39	wlsxTrapObjectsGroup 39
wlsxTrapDBIpAddress	1.3.6.1.4.1.14823.2.3.3.1.200.1.40	wlsxTrapObjectsGroup 40
wlsxTrapDBType	1.3.6.1.4.1.14823.2.3.3.1.200.1.41	wlsxTrapObjectsGroup 41
wlsxTrapVrrpID	1.3.6.1.4.1.14823.2.3.3.1.200.1.42	wlsxTrapObjectsGroup 42
wlsxTrapVrrpMasterIp	1.3.6.1.4.1.14823.2.3.3.1.200.1.43	wlsxTrapObjectsGroup 43
wlsxTrapVrrpOperState	1.3.6.1.4.1.14823.2.3.3.1.200.1.44	wlsxTrapObjectsGroup 44
wlsxTrapESIServerGrpName	1.3.6.1.4.1.14823.2.3.3.1.200.1.45	wlsxTrapObjectsGroup 45
wlsxTrapESIServerName	1.3.6.1.4.1.14823.2.3.3.1.200.1.46	wlsxTrapObjectsGroup 46
wlsxTrapESIServerIpAddress	1.3.6.1.4.1.14823.2.3.3.1.200.1.47	wlsxTrapObjectsGroup 47
wlsxTrapLicenseDaysRemaining	1.3.6.1.4.1.14823.2.3.3.1.200.1.48	wlsxTrapObjectsGroup 48
wlsxTrapSwitchIp	1.3.6.1.4.1.14823.2.3.3.1.200.1.49	wlsxTrapObjectsGroup 49
wlsxTrapSwitchRole	1.3.6.1.4.1.14823.2.3.3.1.200.1.50	wlsxTrapObjectsGroup 50
wlsxTrapUserIpAddress	1.3.6.1.4.1.14823.2.3.3.1.200.1.51	wlsxTrapObjectsGroup 51
wlsxTrapUserPhyAddress	1.3.6.1.4.1.14823.2.3.3.1.200.1.52	wlsxTrapObjectsGroup 52
wlsxTrapUserName	1.3.6.1.4.1.14823.2.3.3.1.200.1.53	wlsxTrapObjectsGroup 53
wlsxTrapUserRole	1.3.6.1.4.1.14823.2.3.3.1.200.1.54	wlsxTrapObjectsGroup 54

Table 11: aiTraps Objects Group OIDs

Object	Object ID	
wlsxTrapUserAuthenticationMethod	1.3.6.1.4.1.14823.2.3.3.1.200.1.55	wlsxTrapObjectsGroup 55
wlsxTrapAPRadioNumber	1.3.6.1.4.1.14823.2.3.3.1.200.1.56	wlsxTrapObjectsGroup 56
wlsxTrapRogueInfoURL	1.3.6.1.4.1.14823.2.3.3.1.200.1.57	wlsxTrapObjectsGroup 57
wlsxTrapInterferingAPInfoURL	1.3.6.1.4.1.14823.2.3.3.1.200.1.58	wlsxTrapObjectsGroup 58
wlsxTrapPortNumber	1.3.6.1.4.1.14823.2.3.3.1.200.1.59	wlsxTrapObjectsGroup 59
wlsxTrapTime	1.3.6.1.4.1.14823.2.3.3.1.200.1.60	wlsxTrapObjectsGroup 60
wlsxTrapHostIp	1.3.6.1.4.1.14823.2.3.3.1.200.1.61	wlsxTrapObjectsGroup 61
wlsxTrapHostPort	1.3.6.1.4.1.14823.2.3.3.1.200.1.63	wlsxTrapObjectsGroup 62
wlsxTrapConfigurationId	1.3.6.1.4.1.14823.2.3.3.1.200.1.63	wlsxTrapObjectsGroup 63
wlsxTrapCTSURL	1.3.6.1.4.1.14823.2.3.3.1.200.1.64	wlsxTrapObjectsGroup 64
wlsxTrapCTSTransferType	1.3.6.1.4.1.14823.2.3.3.1.200.1.65	wlsxTrapObjectsGroup 65
wlsxTrapConfigurationState	1.3.6.1.4.1.14823.2.3.3.1.200.1.66	wlsxTrapObjectsGroup 66
wlsxTrapUpdateFailureReason	1.3.6.1.4.1.14823.2.3.3.1.200.1.67	wlsxTrapObjectsGroup 67
wlsxTrapUpdateFailedObj	1.3.6.1.4.1.14823.2.3.3.1.200.1.68	wlsxTrapObjectsGroup 68
wlsxTrapTableEntryChangeType	1.3.6.1.4.1.14823.2.3.3.1.200.1.69	wlsxTrapObjectsGroup 69
wlsxTrapGlobalConfigObj	1.3.6.1.4.1.14823.2.3.3.1.200.1.70	wlsxTrapObjectsGroup 70
wlsxTrapTableGenNumber	1.3.6.1.4.1.14823.2.3.3.1.200.1.71	wlsxTrapObjectsGroup 71
wlsxTrapLicenseld	1.3.6.1.4.1.14823.2.3.3.1.200.1.72	wlsxTrapObjectsGroup 72
wlsxTrapConfidenceLevel	1.3.6.1.4.1.14823.2.3.3.1.200.1.73	wlsxTrapObjectsGroup 73
wlsxTrapMissingLicenses	1.3.6.1.4.1.14823.2.3.3.1.200.1.74	wlsxTrapObjectsGroup 74
wlsxVoiceCurrentNumCdr	1.3.6.1.4.1.14823.2.3.3.1.200.1.75	wlsxTrapObjectsGroup 75
wlsxTrapTunnelId	1.3.6.1.4.1.14823.2.3.3.1.200.1.76	wlsxTrapObjectsGroup 76
wlsxTrapTunnelStatus	1.3.6.1.4.1.14823.2.3.3.1.200.1.77	wlsxTrapObjectsGroup 77
wlsxTrapTunnelUpReason	1.3.6.1.4.1.14823.2.3.3.1.200.1.78	wlsxTrapObjectsGroup 78
wlsxTrapTunnelDownReason	1.3.6.1.4.1.14823.2.3.3.1.200.1.79	wlsxTrapObjectsGroup 79
wlsxTrapApSerialNumber	1.3.6.1.4.1.14823.2.3.3.1.200.1.80	wlsxTrapObjectsGroup 80
wlsxTraptimeStr	1.3.6.1.4.1.14823.2.3.3.1.200.1.81	wlsxTrapObjectsGroup 81

Table 11: aiTraps Objects Group OIDs

Object	Object ID	
wlsxTrapMasterIrp	1.3.6.1.4.1.14823.2.3.3.1.200.1.82	wlsxTrapObjectsGroup 82
wlsxTrapLocalIrp	1.3.6.1.4.1.14823.2.3.3.1.200.1.83	wlsxTrapObjectsGroup 83
wlsxTrapMasterName	1.3.6.1.4.1.14823.2.3.3.1.200.1.84	wlsxTrapObjectsGroup 84
wlsxTrapLocalName	1.3.6.1.4.1.14823.2.3.3.1.200.1.85	wlsxTrapObjectsGroup 85
wlsxTrapPrimaryControllerIrp	1.3.6.1.4.1.14823.2.3.3.1.200.1.86	wlsxTrapObjectsGroup 86
wlsxTrapBackupControllerIrp	1.3.6.1.4.1.14823.2.3.3.1.200.1.87	wlsxTrapObjectsGroup 87
wlsxTrapSpoofedFrameType	1.3.6.1.4.1.14823.2.3.3.1.200.1.88	wlsxTrapObjectsGroup 88
wlsxTrapAssociationType	1.3.6.1.4.1.14823.2.3.3.1.200.1.89	wlsxTrapObjectsGroup 89
wlsxTrapDeviceIpAddress	1.3.6.1.4.1.14823.2.3.3.1.200.1.90	wlsxTrapObjectsGroup 90
wlsxTrapDeviceMac	1.3.6.1.4.1.14823.2.3.3.1.200.1.91	wlsxTrapObjectsGroup 91
wlsxTrapVcIpAddress	1.3.6.1.4.1.14823.2.3.3.1.200.1.92	wlsxTrapObjectsGroup 92
wlsxTrapVcMacAddress	1.3.6.1.4.1.14823.2.3.3.1.200.1.93	wlsxTrapObjectsGroup 93
wlsxTrapAPName	1.3.6.1.4.1.14823.2.3.3.1.200.1.94	wlsxTrapObjectsGroup 94
wlsxTrapApMode	1.3.6.1.4.1.14823.2.3.3.1.200.1.95	wlsxTrapObjectsGroup 95
wlsxTrapAPPrevChannel	1.3.6.1.4.1.14823.2.3.3.1.200.1.96	wlsxTrapObjectsGroup 96
wlsxTrapAPPrevChannelSec	1.3.6.1.4.1.14823.2.3.3.1.200.1.97	wlsxTrapObjectsGroup 97
wlsxTrapAPPrevTxPower	1.3.6.1.4.1.14823.2.3.3.1.200.1.98	wlsxTrapObjectsGroup 98
wlsxTrapAPCurMode	1.3.6.1.4.1.14823.2.3.3.1.200.1.99	wlsxTrapObjectsGroup 99
wlsxTrapAPPrevMode	1.3.6.1.4.1.14823.2.3.3.1.200.1.100	wlsxTrapObjectsGroup 100
wlsxTrapAPARMChangeReason	1.3.6.1.4.1.14823.2.3.3.1.200.1.101	wlsxTrapObjectsGroup 101
wlsxTrapAPChannelSec	1.3.6.1.4.1.14823.2.3.3.1.200.1.102	wlsxTrapObjectsGroup 102
wlsxTrapUserAttributeChangeType	1.3.6.1.4.1.14823.2.3.3.1.200.1.103	wlsxTrapObjectsGroup 103
wlsxTrapAPControllerIrp	1.3.6.1.4.1.14823.2.3.3.1.200.1.104	wlsxTrapObjectsGroup 104
wlsxTrapApMasterStatus	1.3.6.1.4.1.14823.2.3.3.1.200.1.105	wlsxTrapObjectsGroup 105
wlsxTrapCaName	1.3.6.1.4.1.14823.2.3.3.1.200.1.106	wlsxTrapObjectsGroup 106
wlsxTrapCrIName	1.3.6.1.4.1.14823.2.3.3.1.200.1.107	wlsxTrapObjectsGroup 107
wlsxTrapCount	1.3.6.1.4.1.14823.2.3.3.1.200.1.108	wlsxTrapObjectsGroup 108

Table 11: aiTraps Objects Group OIDs

Object	Object ID	
wlsxTrapAPPreviousUplinkType	1.3.6.1.4.1.14823.2.3.3.1.200.1.130	wlsxTrapObjectsGroup 130
wlsxTrapAPPreviousUplinkActiveTime	1.3.6.1.4.1.14823.2.3.3.1.200.1.131	wlsxTrapObjectsGroup 131
wlsxTrapAPActiveUplinkType	1.3.6.1.4.1.14823.2.3.3.1.200.1.132	wlsxTrapObjectsGroup 132
wlsxTrapAPUplinkChangeReason	1.3.6.1.4.1.14823.2.3.3.1.200.1.133	wlsxTrapObjectsGroup 133
wlsxTrapAPManagedModeConfigFailure	1.3.6.1.4.1.14823.2.3.3.1.200.1.134	wlsxTrapObjectsGroup 134

wlsxTrapAPMacAddress

Syntax	MacAddress
Max-Access	accessible-for-notify
Status	current
Description	This object is used in the traps to indicate the wired MAC address of an access point, for which the trap is being raised.

wlsxTrapAPIpAddress

Syntax	IpAddress
Max-Access	accessible-for-notify
Status	current
Description	This object is used in the traps to indicate the IP address of an access point for which for which the trap is being raised.

wlsxTrapAPBSSID

Syntax	MacAddress
Max-Access	accessible-for-notify
Status	current
Description	This object is used in the traps to indicate the BSSID of the access point for which we are raising the trap.

wlsxTrapEssid

Syntax	DisplayString(Size(0..64))
Max-Access	accessible-for-notify
Status	current
Description	This object is used in the traps to indicate the SSID of the access point, for which the trap is being raised.

wlsxTrapTargetAPBSSID

Syntax	MacAddress
Max-Access	accessible-for-notify
Status	current
Description	This object is used in the traps to indicate the BSSID of the access point, for which we are raising the trap. If an Air Monitor is sending the trap then this will indicate AP. If an access point is sending the trap, then it will point to itself.

wlsxTrapTargetAPSSID

Syntax	DisplayString(Size(0..64))
Max-Access	accessible-for-notify
Status	current
Description	This object is used in the traps to indicate the SSID of the access point, for which the trap is being raised. If an Air Monitor is sending the trap then this will indicate AP. If an access point is sending the trap, then it will point to itself.

wlsxTrapTargetAPChannel

Syntax	Integer32
Max-Access	accessible-for-notify
Status	current
Description	This object is used in the traps to indicate the channel of the access point, for which the trap is being raised. If an wlsxr monitor is sending the trap then this will indicate AP. If an access point is sending the trap, then it will point to itself.

wlsxTrapNodeMac

Syntax	MacAddress
Max-Access	accessible-for-notify
Status	current
Description	This object is used in the traps to indicate the MAC address of a node.

wlsxTrapSourceMac

Syntax	MacAddress
Max-Access	accessible-for-notify
Status	current
Description	This object is used in the traps to indicate the MAC address of the source.

wlsxReceiverMac

Syntax	MacAddress
Max-Access	accessible-for-notify
Status	current
Description	This object is used in the traps to indicate the MAC address of the receiver.

wlsxTrapTransmitterMac

Syntax	MacAddress
Max-Access	accessible-for-notify
Status	current
Description	This object is used in the traps to indicate the MAC address of the transmitter.

wlsxTrapReceiverMac

Syntax	MacAddress
Max-Access	accessible-for-notify
Status	current
Description	This object is used in the traps to indicate the MAC address of the receiver.

wlsxTrapSnr

Syntax	Integer32
Max-Access	accessible-for-notify
Status	current
Description	This object is used in the traps to indicate the signal-to-noise ratio.

wlsxTrapSignatureName

Syntax	DisplayString(Size(0..64))
Max-Access	accessible-for-notify
Status	current
Description	This object is used in the traps to indicate the signature name.

wlsxTrapFrameType

Syntax	ArubaFrameType
Max-Access	accessible-for-notify
Status	current
Description	This object is used in the traps to indicate the frame type.

wlsxTrapAddressType

Syntax	ArubaAddressType
Max-Access	accessible-for-notify
Status	current
Description	This object is used in the traps to indicate the address type.

wlsxTrapAPLocation

Syntax	DisplayString(Size(0..64))
Max-Access	accessible-for-notify
Status	current
Description	This object is used in the traps to indicate the location of the AP.

wlsxTrapAPChannel

Syntax	Integer32
Max-Access	accessible-for-notify
Status	current
Description	This object is used in the traps to indicate the current channel.

wlsxTrapAPTxFPower

Syntax	Integer32
Max-Access	accessible-for-notify
Status	current
Description	This object is used in the traps to indicate the AP transmit power.

wlsxTrapMatchedMac

Syntax	MacAddress
Max-Access	accessible-for-notify
Status	current
Description	This object is used in the traps to indicate the MAC address.

wlsxTrapMatchedIp

Syntax	IpAddress
Max-Access	accessible-for-notify
Status	current
Description	This object is used in the traps to indicate the IP address.

wlsxTrapRogueIfURL

Syntax	DisplayString(Size(0..64))
Max-Access	accessible-for-notify
Status	current
Description	This object is used to point to the WEBUI Rogue AP information URL.

wlsxTrapVLANId

Syntax	Integer32
Max-Access	accessible-for-notify
Status	current
Description	This object is used in the traps to indicate the VLAN ID.

wlsxTrapAdminStatus

Syntax	ArubaEnableValue (INTEGER)
Max-Access	accessible-for-notify
Status	current
Description	This object is used in the traps to indicate the admin status of VLAN.

wlsxTrapOperStatus

Syntax	ArubaOperStateValue
Max-Access	accessible-for-notify
Status	current
Description	This object is used in the traps to indicate the admin status of VLAN.

wlsxTrapAuthServerName

Syntax	DisplayString(Size(0..64))
Max-Access	accessible-for-notify
Status	current
Description	This object is used in the traps to indicate the authentication server used for authentication.

wlsxTrapAuthServerTimeout

Syntax	Integer32
Max-Access	accessible-for-notify
Status	current
Description	This object is used in the traps to indicate the Authentication Server Timeout.

wlsxTrapCardSlot

Syntax	Integer32
Max-Access	accessible-for-notify
Status	current
Description	This object is used in the traps to indicate the slot in which this card is present.

wlsxTrapTemperatureValue

Syntax	DisplayString(Size(0..64))
Max-Access	accessible-for-notify
Status	current
Description	This object is used in the traps to indicate the temperature value.

wlsxTrapProcessName

Syntax	DisplayString(Size(0..64))
Max-Access	accessible-for-notify
Status	current
Description	This object is used in the traps to indicate the process name.

wlsxTrapFanNumber

Syntax	Integer32
Max-Access	accessible-for-notify
Status	current
Description	This object is used in the traps to indicate the fan number.

wlsxTrapVoltageType

Syntax	DisplayString(Size(0..64))
Max-Access	accessible-for-notify
Status	current
Description	This object is used in the traps to indicate the type of voltage.

wlsxTrapVoltageValue

Syntax	DisplayString(Size(0..64))
Max-Access	accessible-for-notify
Status	current
Description	This object is used in the traps to indicate the voltage value in float.

wlsxTrapStationBlackListReason

Syntax	ArubaBlackListReason
Max-Access	accessible-for-notify
Status	current
Description	The reason for which a station is black listed.

wlsxTrapSpoofedIpAddress

Syntax	IpAddress
Max-Access	accessible-for-notify
Status	current
Description	This object is used in a trap to identify a spoofed IP address.

wlsxTrapSpoofedOldPhyAddress

Syntax	MacAddress
Max-Access	accessible-for-notify
Status	current
Description	This object is used in a trap to identify an old MAC address.

wlsxTrapSpoofedNewPhyAddress

Syntax	MacAddress
Max-Access	accessible-for-notify
Status	current
Description	This object is used in a trap to identify a new MAC address.

wlsxTrapDBName

Syntax	DisplayString(Size(0..64))
Max-Access	accessible-for-notify
Status	current
Description	This object is used in a trap to identify the name of the database.

wlsxTrapDBUserName

Syntax	DisplayString(Size(0..64))
Max-Access	accessible-for-notify
Status	current
Description	This object is used in a trap to identify the name of the database user.

wlsxTrapDBIpAddress

Syntax	DisplayString(Size(0..64))
Max-Access	accessible-for-notify
Status	current
Description	This object is used in a trap to identify the IP address of the database.

wlsxTrapDBType

Syntax	ArubaDBType
Max-Access	accessible-for-notify
Status	current
Description	This object is used in a trap to identify the port of the user.

wlsxTrapVrrpID

Syntax	Integer32
Max-Access	accessible-for-notify
Status	current
Description	This object contains the virtual router identifier.

wlsxTrapVrrpMasterIp

Syntax	IpAddress
Max-Access	accessible-for-notify
Status	current
Description	This object contains the master IP address.

wlsxTrapVrrpOperState

Syntax	ArubaVrrpState
Max-Access	accessible-for-notify
Status	current
Description	This object represents the VRRP operational state.

wlsxTrapESIServerGrpName

Syntax	DisplayString(Size(0..64))
Max-Access	accessible-for-notify
Status	current
Description	This object represents the External Services Interface (ESI) server group name.

wlsxTrapESIServerName

Syntax	DisplayString(Size(0..64))
Max-Access	accessible-for-notify
Status	current
Description	This object represents the External Services Interface (ESI) server name.

wlsxTrapESIServerIpAddress

Syntax	IpAddress
Max-Access	accessible-for-notify
Status	current
Description	This object represents the External Services Interface (ESI) server IP address.

wlsxTrapLicenseDaysRemaining

Syntax	Integer32
Max-Access	accessible-for-notify
Status	current
Description	This object represents the number of days remaining prior to a license expiry.

wlsxTrapSwitchIp

Syntax	IpAddress
Max-Access	accessible-for-notify
Status	current
Description	This object represents the controller IP address.

wlsxTrapSwitchRole

Syntax	ArubaSwitchRole
Max-Access	accessible-for-notify
Status	current
Description	This object represents the role of the controller.

wlsxTrapUserIpAddress

Syntax	IpAddress
Max-Access	accessible-for-notify
Status	current
Description	This object represents the IP address of the user.

wlsxTrapUserPhyAddress

Syntax	MacAddress
Max-Access	accessible-for-notify
Status	current
Description	This object represents the MAC address of the user.

wlsxTrapUserName

Syntax	DisplayString(Size(0..64))
Max-Access	accessible-for-notify
Status	current
Description	This object represents the user name.

wlsxTrapUserRole

Syntax	DisplayString(Size(0..64))
Max-Access	accessible-for-notify
Status	current
Description	This object represents the Authentication method of the user.

wlsxTrapUserAuthenticationMethod

Syntax	ArubaAuthenticationMethods
Max-Access	accessible-for-notify
Status	current
Description	This object represents the Authentication method of the user.

wlsxTrapAPRadioNumber

Syntax	Integer32
Max-Access	accessible-for-notify
Status	current
Description	This object represents the radio number.

wlsxTrapRogueInfoURL

Syntax	DisplayString(Size(0..64))
Max-Access	accessible-for-notify
Status	current
Description	This object is used to point to the WEBGUI Rogue AP information URL.

wlsxTrapInterferingAPIInfoURL

Syntax	DisplayString(Size(0..64))
Max-Access	accessible-for-notify
Status	current
Description	This object is used to point to the WEBGUI Rogue interfering access point information URL.

wlsxTrapPortNumber

Syntax	Integer32
Max-Access	accessible-for-notify
Status	current
Description	This object is used in the traps to indicate the port number.

wlsxTrapTime

Syntax	DateAndTime
Max-Access	accessible-for-notify
Status	current
Description	This object is used in all the enterprise traps to indicate the time when the trap is generated on the controller.

wlsxTrapHostIp

Syntax	IpAddress
Max-Access	accessible-for-notify
Status	current
Description	This object represents the trap host.

wlsxTrapHostPort

Syntax	Integer32
Max-Access	accessible-for-notify
Status	current
Description	This object represents the trap host port.

wlsxTrapConfigurationId

Syntax	Integer32
Max-Access	accessible-for-notify
Status	current
Description	

wlsxTrapCTSURL

Syntax	DisplayString(Size(0..64))
Max-Access	accessible-for-notify
Status	current
Description	This object represents the URL from which the transfer should happen.

wlsxTrapCTSTransferType

Syntax	DisplayString(Size(0..64))
Max-Access	accessible-for-notify
Status	current
Description	This object represents the transfer type, upload or download.

wlsxTrapConfigurationState

Syntax	ArubaConfigurationState (INTEGER)
Max-Access	accessible-for-notify
Status	current
Description	This object represents the state of the configuration transfer.

wlsxTrapUpdateFailureReason

Syntax	DisplayString(Size(0..64))
Max-Access	accessible-for-notify
Status	current
Description	This object represents the reason for the update failure.

wlsxTrapUpdateFailedObj

Syntax	DisplayString(Size(0..64))
Max-Access	accessible-for-notify
Status	current
Description	This variable represents the AMAPI object which is the reason for the update failure.

wlsxTrapTableEntryChangeType

Syntax	ArubaConfigurationChangeType (INTEGER)
Max-Access	accessible-for-notify
Status	current
Description	This object represents the type of the configuration change.

wlsxTrapGlobalConfigObj

Syntax	DisplayString(Size(0..64))
Max-Access	accessible-for-notify
Status	current
Description	This variable represents the AMAPI object corresponding to the global configuration change.

wlsxTrapTableGenNumber

Syntax	Integer32
Max-Access	accessible-for-notify
Status	current
Description	This object represents the generation number of a table. Used in the MMS to keep track of the table content changes.

wlsxTrapLicenseId

Syntax	Integer32
Max-Access	accessible-for-notify
Status	current
Description	This object is used in the traps to indicate the license ID.

wlsxTrapConfidenceLevel

Syntax	Integer32
Max-Access	accessible-for-notify
Status	current
Description	This object is used in the traps to indicate the confidence level as a percentage.

wlsxTrapMissingLicenses

Syntax	DisplayString(Size(0..64))
Max-Access	accessible-for-notify
Status	current
Description	This variable indicates any licenses that are not present during a configuration update.

wlsxVoiceCurrentNumCdr

Syntax	Integer32
Max-Access	accessible-for-notify
Status	current
Description	This object represents the number of CDRs in buffer.

wlsxTrapTunnelId

Syntax	Integer32
Max-Access	accessible-for-notify
Status	current
Description	This object represents the tunnel ID.

wlsxTrapTunnelStatus

Syntax	Integer32
Max-Access	accessible-for-notify
Status	current
Description	This object represents the tunnel status.

wlsxTrapTunnelUpReason

Syntax	DisplayString(Size(0..64))
Max-Access	accessible-for-notify
Status	current
Description	This object represents the tunnel up reason.

wlsxTrapTunnelDownReason

Syntax	DisplayString(Size(0..64))
Max-Access	accessible-for-notify
Status	current
Description	This object represents the tunnel down reason.

wlsxTrapApSerialNumber

Syntax	DisplayString(Size(0..64))
Max-Access	accessible-for-notify
Status	current
Description	This object represents the AP serial number.

wlsxTraptimeStr

Syntax	DisplayString(Size(0..64))
Max-Access	accessible-for-notify
Status	current
Description	This object represents the Time in String format.

wlsxTrapMasterIp

Syntax	IpAddress
Max-Access	accessible-for-notify
Status	current
Description	This object represents the master IP address.

wlsxTrapLocalIp

Syntax	IpAddress
Max-Access	accessible-for-notify
Status	current
Description	This object represents the local IP address.

wlsxTrapMasterName

Syntax	DisplayString(Size(0..64))
Max-Access	accessible-for-notify
Status	current
Description	This object represents the master controller name.

wlsxTrapLocalName

Syntax	DisplayString(Size(0..64))
Max-Access	accessible-for-notify
Status	current
Description	This object represents the local controller name.

wlsxTrapPrimaryControllerIp

Syntax	IpAddress
Max-Access	accessible-for-notify
Status	current
Description	This object represents the IP address of the AP's primary controller.

wlsxTrapBackupControllerIp

Syntax	IpAddress
Max-Access	accessible-for-notify
Status	current
Description	This object represents the IP address of the AP's backup controller.

wlsxTrapSpoofedFrameType

Syntax	DisplayString (SIZE(0..64))
Max-Access	accessible-for-notify
Status	current
Description	This object is used in the traps to indicate the Spoofed Frame Type

wlsxTrapAssociationType

Syntax	DisplayString (SIZE(0..64))
Max-Access	accessible-for-notify
Status	current
Description	This object is used in the traps to indicate the type of association.

wlsxTrapDeviceIpAddress

Syntax	IpAddress
Max-Access	accessible-for-notify
Status	current
Description	This object represents the IP address of a device seen by an AP.

wlsxTrapDeviceMac

Syntax	MacAddress
Max-Access	accessible-for-notify
Status	current
Description	This object represents the MAC address of a device seen by an AP.

wlsxTrapVcIpAddress

Syntax	IpAddress
Max-Access	accessible-for-notify
Status	current
Description	This object represents the IP Address of a Voice client.

wlsxTrapVcMacAddress

Syntax	MacAddress
Max-Access	accessible-for-notify
Status	current
Description	This object represents the MAC address of a Voice client.

wlsxTrapAPName

Syntax	DisplayString (SIZE(0..64))
Max-Access	accessible-for-notify
Status	current
Description	This object is used in the traps to indicate the Name of the AP.

wlsxTrapApMode

Syntax	Integer32
Max-Access	accessible-for-notify
Status	current
Description	

wlsxTrapAPPprevChannel

Syntax	Integer32
Max-Access	accessible-for-notify
Status	current
Description	This object is used in the traps to indicate the Previous Channel.

wlsxTrapAPPprevChannelSec

Syntax	ArubaHTextChannel (INTEGER)
Max-Access	accessible-for-notify
Status	current
Description	This object is used in the traps to indicate the Previous Secondary Channel.

wlsxTrapAPPprevTxPower

Syntax	Integer32
Max-Access	accessible-for-notify
Status	current
Description	This object is used in the traps to indicate previous AP Transmit Power.

wlsxTrapAPCurMode

Syntax	ArubaAccessPointMode (INTEGER)
Max-Access	accessible-for-notify
Status	current
Description	This Object represents the APs Current Mode.

wlsxTrapAPPprevMode

Syntax	ArubaAccessPointMode (INTEGER)
Max-Access	accessible-for-notify
Status	current
Description	This Object represents the APs Previous Mode.

wlsxTrapAPARMChangeReason

Syntax	ArubaARMChangeReason (INTEGER)
Max-Access	accessible-for-notify
Status	current
Description	This Object represents the APs Previous Mode.

wlsxTrapAPChannelSec

Syntax	ArubaHTextChannel (INTEGER)
Max-Access	accessible-for-notify
Status	current
Description	This object is used in the traps to indicate the Current Secondary Channel.

wlsxTrapUserAttributeChangeType

Syntax	ArubaConfigurationChangeType (INTEGER)
Max-Access	accessible-for-notify
Status	current
Description	This object represents type of the configuration change.

wlsxTrapAPControllerIp

Syntax	IpAddress
Max-Access	accessible-for-notify
Status	current
Description	

wlsxTrapApMasterStatus

Syntax	ArubaAPMasterStatus (INTEGER)
Max-Access	accessible-for-notify
Status	current
Description	Status of the AP as seen by the master when the status changes.

wlsxTrapCaName

Syntax	DisplayString (SIZE(0..64))
Max-Access	accessible-for-notify
Status	current
Description	

wlsxTrapCrlName

Syntax	DisplayString (SIZE(0..64))
Max-Access	accessible-for-notify
Status	current
Description	This object is used in the traps to indicate the name of the CRL.

wlsxTrapCount

Syntax	Integer32
Max-Access	accessible-for-notify
Status	current
Description	This object represents the number of occurrence of this trap.

wlsxTrapAPPPreviousUplinkType

Syntax	ArubaAPUplinkType
Max-Access	accessible-for-notify
Status	current
Description	This object represents the previous uplink type of an AP.

wlsxTrapAPPPreviousUplinkActiveTime

Syntax	TimeTicks
Max-Access	accessible-for-notify
Status	current
Description	This object represents the active time of the previous uplink of an AP.

wlsxTrapAPActiveUplinkType

Syntax	ArubaAPUplinkType
Max-Access	accessible-for-notify
Status	current
Description	This object represents the active uplink type of an AP.

wlsxTrapAPUplinkChangeReason

Syntax	ArubaAPUplinkChangeReason
Max-Access	accessible-for-notify
Status	current
Description	This object represents the uplink change reason.

wlsxTrapAPManagedModeConfigFailure

Syntax	DisplayString (SIZE(0..64))
Max-Access	accessible-for-notify
Status	current
Description	This object indicates that the configuration application has failed on the AP.

ai Traps Objects Group

The following table lists the supported trap objects in this group:

Table 12: aiTraps Objects Group OIDs

Object	Object ID	
wlsxTrapAPMacAddress	1.3.6.1.4.1.14823.2.3.3.1.200.1.1	wlsxTrapObjectsGroup 1
wlsxTrapAPIpAddress	1.3.6.1.4.1.14823.2.3.3.1.200.1.2	wlsxTrapObjectsGroup 2
wlsxTrapAPBSSID	1.3.6.1.4.1.14823.2.3.3.1.200.1.3	wlsxTrapObjectsGroup 3
wlsxTrapEssid	1.3.6.1.4.1.14823.2.3.3.1.200.1.4	wlsxTrapObjectsGroup 4
wlsxTrapTargetAPBSSID	1.3.6.1.4.1.14823.2.3.3.1.200.1.5	wlsxTrapObjectsGroup 5
wlsxTrapTargetAPSSID	1.3.6.1.4.1.14823.2.3.3.1.200.1.6	wlsxTrapObjectsGroup 6
wlsxTrapTargetAPChannel	1.3.6.1.4.1.14823.2.3.3.1.200.1.7	wlsxTrapObjectsGroup 7
wlsxTrapNodeMac	1.3.6.1.4.1.14823.2.3.3.1.200.1.8	wlsxTrapObjectsGroup 8
wlsxTrapSourceMac	1.3.6.1.4.1.14823.2.3.3.1.200.1.9	wlsxTrapObjectsGroup 9
wlsxReceiverMac	1.3.6.1.4.1.14823.2.3.3.1.200.1.10	wlsxTrapObjectsGroup 10
wlsxTrapTransmitterMac	1.3.6.1.4.1.14823.2.3.3.1.200.1.11	wlsxTrapObjectsGroup 11
wlsxTrapReceiverMac	1.3.6.1.4.1.14823.2.3.3.1.200.1.12	wlsxTrapObjectsGroup 12
wlsxTrapSnr	1.3.6.1.4.1.14823.2.3.3.1.200.1.13	wlsxTrapObjectsGroup 13
wlsxTrapSignatureName	1.3.6.1.4.1.14823.2.3.3.1.200.1.14	wlsxTrapObjectsGroup 14
wlsxTrapFrameType	1.3.6.1.4.1.14823.2.3.3.1.200.1.15	wlsxTrapObjectsGroup 15
wlsxTrapAddressType	1.3.6.1.4.1.14823.2.3.3.1.200.1.16	wlsxTrapObjectsGroup 16
wlsxTrapAPLocation	1.3.6.1.4.1.14823.2.3.3.1.200.1.17	wlsxTrapObjectsGroup 17
wlsxTrapAPChannel	1.3.6.1.4.1.14823.2.3.3.1.200.1.18	wlsxTrapObjectsGroup 18
wlsxTrapAPTxFPower	1.3.6.1.4.1.14823.2.3.3.1.200.1.19	wlsxTrapObjectsGroup 19
wlsxTrapMatchedMac	1.3.6.1.4.1.14823.2.3.3.1.200.1.20	wlsxTrapObjectsGroup 20

Object	Object ID	
wlsxTrapMatchedIp	1.3.6.1.4.1.14823.2.3.3.1.200.1.21	wlsxTrapObjectsGroup 21
wlsxTrapRogueIfoURL	1.3.6.1.4.1.14823.2.3.3.1.200.1.22	wlsxTrapObjectsGroup 22
wlsxTrapVLANId	1.3.6.1.4.1.14823.2.3.3.1.200.1.23	wlsxTrapObjectsGroup 23
wlsxTrapAdminStatus	1.3.6.1.4.1.14823.2.3.3.1.200.1.24	wlsxTrapObjectsGroup 24
wlsxTrapOperStatus	1.3.6.1.4.1.14823.2.3.3.1.200.1.25	wlsxTrapObjectsGroup 25
wlsxTrapAuthServerName	1.3.6.1.4.1.14823.2.3.3.1.200.1.26	wlsxTrapObjectsGroup 26
wlsxTrapAuthServerTimeout	1.3.6.1.4.1.14823.2.3.3.1.200.1.27	wlsxTrapObjectsGroup 27
wlsxTrapCardSlot	1.3.6.1.4.1.14823.2.3.3.1.200.1.28	wlsxTrapObjectsGroup 28
wlsxTrapTemperatureValue	1.3.6.1.4.1.14823.2.3.3.1.200.1.29	wlsxTrapObjectsGroup 29
wlsxTrapProcessName	1.3.6.1.4.1.14823.2.3.3.1.200.1.30	wlsxTrapObjectsGroup 30
wlsxTrapFanNumber	1.3.6.1.4.1.14823.2.3.3.1.200.1.31	wlsxTrapObjectsGroup 31
wlsxTrapVoltageType	1.3.6.1.4.1.14823.2.3.3.1.200.1.32	wlsxTrapObjectsGroup 32
wlsxTrapVoltageValue	1.3.6.1.4.1.14823.2.3.3.1.200.1.33	wlsxTrapObjectsGroup 33
wlsxTrapStationBlackListReason	1.3.6.1.4.1.14823.2.3.3.1.200.1.34	wlsxTrapObjectsGroup 34
wlsxTrapSpoofedIpAddress	1.3.6.1.4.1.14823.2.3.3.1.200.1.35	wlsxTrapObjectsGroup 35
wlsxTrapSpoofedOldPhyAddress	1.3.6.1.4.1.14823.2.3.3.1.200.1.36	wlsxTrapObjectsGroup 36
wlsxTrapSpoofedNewPhyAddress	1.3.6.1.4.1.14823.2.3.3.1.200.1.37	wlsxTrapObjectsGroup 37
wlsxTrapDBName	1.3.6.1.4.1.14823.2.3.3.1.200.1.38	wlsxTrapObjectsGroup 38
wlsxTrapDBUserName	1.3.6.1.4.1.14823.2.3.3.1.200.1.39	wlsxTrapObjectsGroup 39
wlsxTrapDBIpAddress	1.3.6.1.4.1.14823.2.3.3.1.200.1.40	wlsxTrapObjectsGroup 40
wlsxTrapDBType	1.3.6.1.4.1.14823.2.3.3.1.200.1.41	wlsxTrapObjectsGroup 41
wlsxTrapVrrpID	1.3.6.1.4.1.14823.2.3.3.1.200.1.42	wlsxTrapObjectsGroup 42
wlsxTrapVrrpMasterIp	1.3.6.1.4.1.14823.2.3.3.1.200.1.43	wlsxTrapObjectsGroup 43
wlsxTrapVrrpOperState	1.3.6.1.4.1.14823.2.3.3.1.200.1.44	wlsxTrapObjectsGroup 44
wlsxTrapESIServerGrpName	1.3.6.1.4.1.14823.2.3.3.1.200.1.45	wlsxTrapObjectsGroup 45
wlsxTrapESIServerName	1.3.6.1.4.1.14823.2.3.3.1.200.1.46	wlsxTrapObjectsGroup 46
wlsxTrapESIServerIpAddress	1.3.6.1.4.1.14823.2.3.3.1.200.1.47	wlsxTrapObjectsGroup 47
wlsxTrapLicenseDaysRemaining	1.3.6.1.4.1.14823.2.3.3.1.200.1.48	wlsxTrapObjectsGroup 48

Object	Object ID	
wlsxTrapSwitchIp	1.3.6.1.4.1.14823.2.3.3.1.200.1.49	wlsxTrapObjectsGroup 49
wlsxTrapSwitchRole	1.3.6.1.4.1.14823.2.3.3.1.200.1.50	wlsxTrapObjectsGroup 50
wlsxTrapUserIpAddress	1.3.6.1.4.1.14823.2.3.3.1.200.1.51	wlsxTrapObjectsGroup 51
wlsxTrapUserPhyAddress	1.3.6.1.4.1.14823.2.3.3.1.200.1.52	wlsxTrapObjectsGroup 52
wlsxTrapUserName	1.3.6.1.4.1.14823.2.3.3.1.200.1.53	wlsxTrapObjectsGroup 53
wlsxTrapUserRole	1.3.6.1.4.1.14823.2.3.3.1.200.1.54	wlsxTrapObjectsGroup 54
wlsxTrapUserAuthenticationMethod	1.3.6.1.4.1.14823.2.3.3.1.200.1.55	wlsxTrapObjectsGroup 55
wlsxTrapAPRadioNumber	1.3.6.1.4.1.14823.2.3.3.1.200.1.56	wlsxTrapObjectsGroup 56
wlsxTrapRogueInfoURL	1.3.6.1.4.1.14823.2.3.3.1.200.1.57	wlsxTrapObjectsGroup 57
wlsxTrapInterferingAPInfoURL	1.3.6.1.4.1.14823.2.3.3.1.200.1.58	wlsxTrapObjectsGroup 58
wlsxTrapPortNumber	1.3.6.1.4.1.14823.2.3.3.1.200.1.59	wlsxTrapObjectsGroup 59
wlsxTrapTime	1.3.6.1.4.1.14823.2.3.3.1.200.1.60	wlsxTrapObjectsGroup 60
wlsxTrapHostIp	1.3.6.1.4.1.14823.2.3.3.1.200.1.61	wlsxTrapObjectsGroup 61
wlsxTrapHostPort	1.3.6.1.4.1.14823.2.3.3.1.200.1.63	wlsxTrapObjectsGroup 62
wlsxTrapConfigurationId	1.3.6.1.4.1.14823.2.3.3.1.200.1.63	wlsxTrapObjectsGroup 63
wlsxTrapCTSURL	1.3.6.1.4.1.14823.2.3.3.1.200.1.64	wlsxTrapObjectsGroup 64
wlsxTrapCTSTransferType	1.3.6.1.4.1.14823.2.3.3.1.200.1.65	wlsxTrapObjectsGroup 65
wlsxTrapConfigurationState	1.3.6.1.4.1.14823.2.3.3.1.200.1.66	wlsxTrapObjectsGroup 66
wlsxTrapUpdateFailureReason	1.3.6.1.4.1.14823.2.3.3.1.200.1.67	wlsxTrapObjectsGroup 67
wlsxTrapUpdateFailedObj	1.3.6.1.4.1.14823.2.3.3.1.200.1.68	wlsxTrapObjectsGroup 68
wlsxTrapTableEntryChangeType	1.3.6.1.4.1.14823.2.3.3.1.200.1.69	wlsxTrapObjectsGroup 69
wlsxTrapGlobalConfigObj	1.3.6.1.4.1.14823.2.3.3.1.200.1.70	wlsxTrapObjectsGroup 70
wlsxTrapTableGenNumber	1.3.6.1.4.1.14823.2.3.3.1.200.1.71	wlsxTrapObjectsGroup 71
wlsxTrapLicenseId	1.3.6.1.4.1.14823.2.3.3.1.200.1.72	wlsxTrapObjectsGroup 72
wlsxTrapConfidenceLevel	1.3.6.1.4.1.14823.2.3.3.1.200.1.73	wlsxTrapObjectsGroup 73
wlsxTrapMissingLicenses	1.3.6.1.4.1.14823.2.3.3.1.200.1.74	wlsxTrapObjectsGroup 74
wlsxVoiceCurrentNumCdr	1.3.6.1.4.1.14823.2.3.3.1.200.1.75	wlsxTrapObjectsGroup 75
wlsxTrapTunnelId	1.3.6.1.4.1.14823.2.3.3.1.200.1.76	wlsxTrapObjectsGroup 76

Object	Object ID	
wlsxTrapTunnelStatus	1.3.6.1.4.1.14823.2.3.3.1.200.1.77	wlsxTrapObjectsGroup 77
wlsxTrapTunnelUpReason	1.3.6.1.4.1.14823.2.3.3.1.200.1.78	wlsxTrapObjectsGroup 78
wlsxTrapTunnelDownReason	1.3.6.1.4.1.14823.2.3.3.1.200.1.79	wlsxTrapObjectsGroup 79
wlsxTrapApSerialNumber	1.3.6.1.4.1.14823.2.3.3.1.200.1.80	wlsxTrapObjectsGroup 80
wlsxTraptimeStr	1.3.6.1.4.1.14823.2.3.3.1.200.1.81	wlsxTrapObjectsGroup 81
wlsxTrapMasterIrp	1.3.6.1.4.1.14823.2.3.3.1.200.1.82	wlsxTrapObjectsGroup 82
wlsxTrapLocalIrp	1.3.6.1.4.1.14823.2.3.3.1.200.1.83	wlsxTrapObjectsGroup 83
wlsxTrapMasterName	1.3.6.1.4.1.14823.2.3.3.1.200.1.84	wlsxTrapObjectsGroup 84
wlsxTrapLocalName	1.3.6.1.4.1.14823.2.3.3.1.200.1.85	wlsxTrapObjectsGroup 85
wlsxTrapPrimaryControllerIrp	1.3.6.1.4.1.14823.2.3.3.1.200.1.86	wlsxTrapObjectsGroup 86
wlsxTrapBackupControllerIrp	1.3.6.1.4.1.14823.2.3.3.1.200.1.87	wlsxTrapObjectsGroup 87
wlsxTrapSpoofedFrameType	1.3.6.1.4.1.14823.2.3.3.1.200.1.88	wlsxTrapObjectsGroup 88
wlsxTrapAssociationType	1.3.6.1.4.1.14823.2.3.3.1.200.1.89	wlsxTrapObjectsGroup 89
wlsxTrapDeviceIrpAddress	1.3.6.1.4.1.14823.2.3.3.1.200.1.90	wlsxTrapObjectsGroup 90
wlsxTrapDeviceMac	1.3.6.1.4.1.14823.2.3.3.1.200.1.91	wlsxTrapObjectsGroup 91
wlsxTrapVcIrpAddress	1.3.6.1.4.1.14823.2.3.3.1.200.1.92	wlsxTrapObjectsGroup 92
wlsxTrapVcMacAddress	1.3.6.1.4.1.14823.2.3.3.1.200.1.93	wlsxTrapObjectsGroup 93
wlsxTrapAPName	1.3.6.1.4.1.14823.2.3.3.1.200.1.94	wlsxTrapObjectsGroup 94
wlsxTrapApMode	1.3.6.1.4.1.14823.2.3.3.1.200.1.95	wlsxTrapObjectsGroup 95
wlsxTrapAPPrevChannel	1.3.6.1.4.1.14823.2.3.3.1.200.1.96	wlsxTrapObjectsGroup 96
wlsxTrapAPPrevChannelSec	1.3.6.1.4.1.14823.2.3.3.1.200.1.97	wlsxTrapObjectsGroup 97
wlsxTrapAPPrevTxPower	1.3.6.1.4.1.14823.2.3.3.1.200.1.98	wlsxTrapObjectsGroup 98
wlsxTrapAPCurMode	1.3.6.1.4.1.14823.2.3.3.1.200.1.99	wlsxTrapObjectsGroup 99
wlsxTrapAPPrevMode	1.3.6.1.4.1.14823.2.3.3.1.200.1.100	wlsxTrapObjectsGroup 100
wlsxTrapAPARMChangeReason	1.3.6.1.4.1.14823.2.3.3.1.200.1.101	wlsxTrapObjectsGroup 101
wlsxTrapAPChannelSec	1.3.6.1.4.1.14823.2.3.3.1.200.1.102	wlsxTrapObjectsGroup 102
wlsxTrapUserAttributeChangeType	1.3.6.1.4.1.14823.2.3.3.1.200.1.103	wlsxTrapObjectsGroup 103
wlsxTrapAPControllerIrp	1.3.6.1.4.1.14823.2.3.3.1.200.1.104	wlsxTrapObjectsGroup 104

Object	Object ID	
wlsxTrapApMasterStatus	1.3.6.1.4.1.14823.2.3.3.1.200.1.105	wlsxTrapObjectsGroup 105
wlsxTrapCaName	1.3.6.1.4.1.14823.2.3.3.1.200.1.106	wlsxTrapObjectsGroup 106
wlsxTrapCrlName	1.3.6.1.4.1.14823.2.3.3.1.200.1.107	wlsxTrapObjectsGroup 107
wlsxTrapCount	1.3.6.1.4.1.14823.2.3.3.1.200.1.108	wlsxTrapObjectsGroup 108
wlsxTrapAPPreviousUplinkType	1.3.6.1.4.1.14823.2.3.3.1.200.1.130	wlsxTrapObjectsGroup 130
wlsxTrapAPPreviousUplinkActiveTime	1.3.6.1.4.1.14823.2.3.3.1.200.1.131	wlsxTrapObjectsGroup 131
wlsxTrapAPActiveUplinkType	1.3.6.1.4.1.14823.2.3.3.1.200.1.132	wlsxTrapObjectsGroup 132
wlsxTrapAPUplinkChangeReason	1.3.6.1.4.1.14823.2.3.3.1.200.1.133	wlsxTrapObjectsGroup 133
wlsxTrapAPManagedModeConfigFailure	1.3.6.1.4.1.14823.2.3.3.1.200.1.134	wlsxTrapObjectsGroup 134

wlsxTrapAPMacAddress

Syntax	MacAddress
Max-Access	accessible-for-notify
Status	current
Description	This object is used in the traps to indicate the wired MAC address of an access point, for which the trap is being raised.

wlsxTrapAPIpAddress

Syntax	IpAddress
Max-Access	accessible-for-notify
Status	current
Description	This object is used in the traps to indicate the IP address of an access point for which for which the trap is being raised.

wlsxTrapAPBSSID

Syntax	MacAddress
Max-Access	accessible-for-notify
Status	current
Description	This object is used in the traps to indicate the BSSID of the access point for which we are raising the trap.

wlsxTrapEssid

Syntax	DisplayString(Size(0..64))
Max-Access	accessible-for-notify
Status	current
Description	This object is used in the traps to indicate the SSID of the access point, for which the trap is being raised.

wlsxTrapTargetAPBSSID

Syntax	MacAddress
Max-Access	accessible-for-notify
Status	current
Description	This object is used in the traps to indicate the BSSID of the access point, for which we are raising the trap. If an Air Monitor is sending the trap then this will indicate AP. If an access point is sending the trap, then it will point to itself.

wlsxTrapTargetAPSSID

Syntax	DisplayString(Size(0..64))
Max-Access	accessible-for-notify
Status	current
Description	This object is used in the traps to indicate the SSID of the access point, for which the trap is being raised. If an Air Monitor is sending the trap then this will indicate AP. If an access point is sending the trap, then it will point to itself.

wlsxTrapTargetAPChannel

Syntax	Integer32
Max-Access	accessible-for-notify
Status	current
Description	This object is used in the traps to indicate the channel of the access point, for which the trap is being raised. If an wlsxr monitor is sending the trap then this will indicate AP. If an access point is sending the trap, then it will point to itself.

wlsxTrapNodeMac

Syntax	MacAddress
Max-Access	accessible-for-notify
Status	current
Description	This object is used in the traps to indicate the MAC address of a node.

wlsxTrapSourceMac

Syntax	MacAddress
Max-Access	accessible-for-notify
Status	current
Description	This object is used in the traps to indicate the MAC address of the source.

wlsxReceiverMac

Syntax	MacAddress
Max-Access	accessible-for-notify
Status	current
Description	This object is used in the traps to indicate the MAC address of the receiver.

wlsxTrapTransmitterMac

Syntax	MacAddress
Max-Access	accessible-for-notify
Status	current
Description	This object is used in the traps to indicate the MAC address of the transmitter.

wlsxTrapReceiverMac

Syntax	MacAddress
Max-Access	accessible-for-notify
Status	current
Description	This object is used in the traps to indicate the MAC address of the receiver.

wlsxTrapSnr

Syntax	Integer32
Max-Access	accessible-for-notify
Status	current
Description	This object is used in the traps to indicate the signal-to-noise ratio.

wlsxTrapSignatureName

Syntax	DisplayString(Size(0..64))
Max-Access	accessible-for-notify
Status	current
Description	This object is used in the traps to indicate the signature name.

wlsxTrapFrameType

Syntax	ArubaFrameType
Max-Access	accessible-for-notify
Status	current
Description	This object is used in the traps to indicate the frame type.

wlsxTrapAddressType

Syntax	ArubaAddressType
Max-Access	accessible-for-notify
Status	current
Description	This object is used in the traps to indicate the address type.

wlsxTrapAPLocation

Syntax	DisplayString(Size(0..64))
Max-Access	accessible-for-notify
Status	current
Description	This object is used in the traps to indicate the location of the AP.

wlsxTrapAPChannel

Syntax	Integer32
Max-Access	accessible-for-notify
Status	current
Description	This object is used in the traps to indicate the current channel.

wlsxTrapAPTxFPower

Syntax	Integer32
Max-Access	accessible-for-notify
Status	current
Description	This object is used in the traps to indicate the AP transmit power.

wlsxTrapMatchedMac

Syntax	MacAddress
Max-Access	accessible-for-notify
Status	current
Description	This object is used in the traps to indicate the MAC address.

wlsxTrapMatchedIp

Syntax	IpAddress
Max-Access	accessible-for-notify
Status	current
Description	This object is used in the traps to indicate the IP address.

wlsxTrapRogueInfoURL

Syntax	DisplayString(Size(0..64))
Max-Access	accessible-for-notify
Status	current
Description	This object is used to point to the WEBUI Rogue AP information URL.

wlsxTrapVLANId

Syntax	Integer32
Max-Access	accessible-for-notify
Status	current
Description	This object is used in the traps to indicate the VLAN ID.

wlsxTrapAdminStatus

Syntax	ArubaEnableValue (INTEGER)
Max-Access	accessible-for-notify
Status	current
Description	This object is used in the traps to indicate the admin status of VLAN.

wlsxTrapOperStatus

Syntax	ArubaOperStateValue
Max-Access	accessible-for-notify
Status	current
Description	This object is used in the traps to indicate the admin status of VLAN.

wlsxTrapAuthServerName

Syntax	DisplayString(Size(0..64))
Max-Access	accessible-for-notify
Status	current
Description	This object is used in the traps to indicate the authentication server used for authentication.

wlsxTrapAuthServerTimeout

Syntax	Integer32
Max-Access	accessible-for-notify
Status	current
Description	This object is used in the traps to indicate the Authentication Server Timeout.

wlsxTrapCardSlot

Syntax	Integer32
Max-Access	accessible-for-notify
Status	current
Description	This object is used in the traps to indicate the slot in which this card is present.

wlsxTrapTemperatureValue

Syntax	DisplayString(Size(0..64))
Max-Access	accessible-for-notify
Status	current
Description	This object is used in the traps to indicate the temperature value.

wlsxTrapProcessName

Syntax	DisplayString(Size(0..64))
Max-Access	accessible-for-notify
Status	current
Description	This object is used in the traps to indicate the process name.

wlsxTrapFanNumber

Syntax	Integer32
Max-Access	accessible-for-notify
Status	current
Description	This object is used in the traps to indicate the fan number.

wlsxTrapVoltageType

Syntax	DisplayString(Size(0..64))
Max-Access	accessible-for-notify
Status	current
Description	This object is used in the traps to indicate the type of voltage.

wlsxTrapVoltageValue

Syntax	DisplayString(Size(0..64))
Max-Access	accessible-for-notify
Status	current
Description	This object is used in the traps to indicate the voltage value in float.

wlsxTrapStationBlackListReason

Syntax	ArubaBlackListReason
Max-Access	accessible-for-notify
Status	current
Description	The reason for which a station is black listed.

wlsxTrapSpoofedIpAddress

Syntax	IpAddress
Max-Access	accessible-for-notify
Status	current
Description	This object is used in a trap to identify a spoofed IP address.

wlsxTrapSpoofedOldPhyAddress

Syntax	MacAddress
Max-Access	accessible-for-notify
Status	current
Description	This object is used in a trap to identify an old MAC address.

wlsxTrapSpoofedNewPhyAddress

Syntax	MacAddress
Max-Access	accessible-for-notify
Status	current
Description	This object is used in a trap to identify a new MAC address.

wlsxTrapDBName

Syntax	DisplayString(Size(0..64))
Max-Access	accessible-for-notify
Status	current
Description	This object is used in a trap to identify the name of the database.

wlsxTrapDBUserName

Syntax	DisplayString(Size(0..64))
Max-Access	accessible-for-notify
Status	current
Description	This object is used in a trap to identify the name of the database user.

wlsxTrapDBIpAddress

Syntax	DisplayString(Size(0..64))
Max-Access	accessible-for-notify
Status	current
Description	This object is used in a trap to identify the IP address of the database.

wlsxTrapDBType

Syntax	ArubaDBType
Max-Access	accessible-for-notify
Status	current
Description	This object is used in a trap to identify the port of the user.

wlsxTrapVrrpID

Syntax	Integer32
Max-Access	accessible-for-notify
Status	current
Description	This object contains the virtual router identifier.

wlsxTrapVrrpMasterIp

Syntax	IpAddress
Max-Access	accessible-for-notify
Status	current
Description	This object contains the master IP address.

wlsxTrapVrrpOperState

Syntax	ArubaVrrpState
Max-Access	accessible-for-notify
Status	current
Description	This object represents the VRRP operational state.

wlsxTrapESIServerGrpName

Syntax	DisplayString(Size(0..64))
Max-Access	accessible-for-notify
Status	current
Description	This object represents the External Services Interface (ESI) server group name.

wlsxTrapESIServerName

Syntax	DisplayString(Size(0..64))
Max-Access	accessible-for-notify
Status	current
Description	This object represents the External Services Interface (ESI) server name.

wlsxTrapESIServerIpAddress

Syntax	IpAddress
Max-Access	accessible-for-notify
Status	current
Description	This object represents the External Services Interface (ESI) server IP address.

wlsxTrapLicenseDaysRemaining

Syntax	Integer32
Max-Access	accessible-for-notify
Status	current
Description	This object represents the number of days remaining prior to a license expiry.

wlsxTrapSwitchIp

Syntax	IpAddress
Max-Access	accessible-for-notify
Status	current
Description	This object represents the controller IP address.

wlsxTrapSwitchRole

Syntax	ArubaSwitchRole
Max-Access	accessible-for-notify
Status	current
Description	This object represents the role of the controller.

wlsxTrapUserIpAddress

Syntax	IpAddress
Max-Access	accessible-for-notify
Status	current
Description	This object represents the IP address of the user.

wlsxTrapUserPhyAddress

Syntax	MacAddress
Max-Access	accessible-for-notify
Status	current
Description	This object represents the MAC address of the user.

wlsxTrapUserName

Syntax	DisplayString(Size(0..64))
Max-Access	accessible-for-notify
Status	current
Description	This object represents the user name.

wlsxTrapUserRole

Syntax	DisplayString(Size(0..64))
Max-Access	accessible-for-notify
Status	current
Description	This object represents the Authentication method of the user.

wlsxTrapUserAuthenticationMethod

Syntax	ArubaAuthenticationMethods
Max-Access	accessible-for-notify
Status	current
Description	This object represents the Authentication method of the user.

wlsxTrapAPRadioNumber

Syntax	Integer32
Max-Access	accessible-for-notify
Status	current
Description	This object represents the radio number.

wlsxTrapRogueInfoURL

Syntax	DisplayString(Size(0..64))
Max-Access	accessible-for-notify
Status	current
Description	This object is used to point to the WEBGUI Rogue AP information URL.

wlsxTrapInterferingAPIInfoURL

Syntax	DisplayString(Size(0..64))
Max-Access	accessible-for-notify
Status	current
Description	This object is used to point to the WEBGUI Rogue interfering access point information URL.

wlsxTrapPortNumber

Syntax	Integer32
Max-Access	accessible-for-notify
Status	current
Description	This object is used in the traps to indicate the port number.

wlsxTrapTime

Syntax	DateAndTime
Max-Access	accessible-for-notify
Status	current
Description	This object is used in all the enterprise traps to indicate the time when the trap is generated on the controller.

wlsxTrapHostIp

Syntax	IpAddress
Max-Access	accessible-for-notify
Status	current
Description	This object represents the trap host.

wlsxTrapHostPort

Syntax	Integer32
Max-Access	accessible-for-notify
Status	current
Description	This object represents the trap host port.

wlsxTrapConfigurationId

Syntax	Integer32
Max-Access	accessible-for-notify
Status	current
Description	

wlsxTrapCTSURL

Syntax	DisplayString(Size(0..64))
Max-Access	accessible-for-notify
Status	current
Description	This object represents the URL from which the transfer should happen.

wlsxTrapCTSTransferType

Syntax	DisplayString(Size(0..64))
Max-Access	accessible-for-notify
Status	current
Description	This object represents the transfer type, upload or download.

wlsxTrapConfigurationState

Syntax	ArubaConfigurationState (INTEGER)
Max-Access	accessible-for-notify
Status	current
Description	This object represents the state of the configuration transfer.

wlsxTrapUpdateFailureReason

Syntax	DisplayString(Size(0..64))
Max-Access	accessible-for-notify
Status	current
Description	This object represents the reason for the update failure.

wlsxTrapUpdateFailedObj

Syntax	DisplayString(Size(0..64))
Max-Access	accessible-for-notify
Status	current
Description	This variable represents the AMAPI object which is the reason for the update failure.

wlsxTrapTableEntryChangeType

Syntax	ArubaConfigurationChangeType (INTEGER)
Max-Access	accessible-for-notify
Status	current
Description	This object represents the type of the configuration change.

wlsxTrapGlobalConfigObj

Syntax	DisplayString(Size(0..64))
Max-Access	accessible-for-notify
Status	current
Description	This variable represents the AMAPI object corresponding to the global configuration change.

wlsxTrapTableGenNumber

Syntax	Integer32
Max-Access	accessible-for-notify
Status	current
Description	This object represents the generation number of a table. Used in the MMS to keep track of the table content changes.

wlsxTrapLicenseId

Syntax	Integer32
Max-Access	accessible-for-notify
Status	current
Description	This object is used in the traps to indicate the license ID.

wlsxTrapConfidenceLevel

Syntax	Integer32
Max-Access	accessible-for-notify
Status	current
Description	This object is used in the traps to indicate the confidence level as a percentage.

wlsxTrapMissingLicenses

Syntax	DisplayString(Size(0..64))
Max-Access	accessible-for-notify
Status	current
Description	This variable indicates any licenses that are not present during a configuration update.

wlsxVoiceCurrentNumCdr

Syntax	Integer32
Max-Access	accessible-for-notify
Status	current
Description	This object represents the number of CDRs in buffer.

wlsxTrapTunnelId

Syntax	Integer32
Max-Access	accessible-for-notify
Status	current
Description	This object represents the tunnel ID.

wlsxTrapTunnelStatus

Syntax	Integer32
Max-Access	accessible-for-notify
Status	current
Description	This object represents the tunnel status.

wlsxTrapTunnelUpReason

Syntax	DisplayString(Size(0..64))
Max-Access	accessible-for-notify
Status	current
Description	This object represents the tunnel up reason.

wlsxTrapTunnelDownReason

Syntax	DisplayString(Size(0..64))
Max-Access	accessible-for-notify
Status	current
Description	This object represents the tunnel down reason.

wlsxTrapApSerialNumber

Syntax	DisplayString(Size(0..64))
Max-Access	accessible-for-notify
Status	current
Description	This object represents the AP serial number.

wlsxTraptimeStr

Syntax	DisplayString(Size(0..64))
Max-Access	accessible-for-notify
Status	current
Description	This object represents the Time in String format.

wlsxTrapMasterIp

Syntax	IpAddress
Max-Access	accessible-for-notify
Status	current
Description	This object represents the master IP address.

wlsxTrapLocalIp

Syntax	IpAddress
Max-Access	accessible-for-notify
Status	current
Description	This object represents the local IP address.

wlsxTrapMasterName

Syntax	DisplayString(Size(0..64))
Max-Access	accessible-for-notify
Status	current
Description	This object represents the master controller name.

wlsxTrapLocalName

Syntax	DisplayString(Size(0..64))
Max-Access	accessible-for-notify
Status	current
Description	This object represents the local controller name.

wlsxTrapPrimaryControllerIp

Syntax	IpAddress
Max-Access	accessible-for-notify
Status	current
Description	This object represents the IP address of the AP's primary controller.

wlsxTrapBackupControllerIp

Syntax	IpAddress
Max-Access	accessible-for-notify
Status	current
Description	This object represents the IP address of the AP's backup controller.

wlsxTrapSpoofedFrameType

Syntax	DisplayString (SIZE(0..64))
Max-Access	accessible-for-notify
Status	current
Description	This object is used in the traps to indicate the Spoofed Frame Type

wlsxTrapAssociationType

Syntax	DisplayString (SIZE(0..64))
Max-Access	accessible-for-notify
Status	current
Description	This object is used in the traps to indicate the type of association.

wlsxTrapDeviceIpAddress

Syntax	IpAddress
Max-Access	accessible-for-notify
Status	current
Description	This object represents the IP address of a device seen by an AP.

wlsxTrapDeviceMac

Syntax	MacAddress
Max-Access	accessible-for-notify
Status	current
Description	This object represents the MAC address of a device seen by an AP.

wlsxTrapVcIpAddress

Syntax	IpAddress
Max-Access	accessible-for-notify
Status	current
Description	This object represents the IP Address of a Voice client.

wlsxTrapVcMacAddress

Syntax	MacAddress
Max-Access	accessible-for-notify
Status	current
Description	This object represents the MAC address of a Voice client.

wlsxTrapAPName

Syntax	DisplayString (SIZE(0..64))
Max-Access	accessible-for-notify
Status	current
Description	This object is used in the traps to indicate the Name of the AP.

wlsxTrapApMode

Syntax	Integer32
Max-Access	accessible-for-notify
Status	current
Description	

wlsxTrapAPPprevChannel

Syntax	Integer32
Max-Access	accessible-for-notify
Status	current
Description	This object is used in the traps to indicate the Previous Channel.

wlsxTrapAPPprevChannelSec

Syntax	ArubaHTextChannel (INTEGER)
Max-Access	accessible-for-notify
Status	current
Description	This object is used in the traps to indicate the Previous Secondary Channel.

wlsxTrapAPPrevTxPower

Syntax	Integer32
Max-Access	accessible-for-notify
Status	current
Description	This object is used in the traps to indicate previous AP Transmit Power.

wlsxTrapAPCurMode

Syntax	ArubaAccessPointMode (INTEGER)
Max-Access	accessible-for-notify
Status	current
Description	This Object represents the APs Current Mode.

wlsxTrapAPPrevMode

Syntax	ArubaAccessPointMode (INTEGER)
Max-Access	accessible-for-notify
Status	current
Description	This Object represents the APs Previous Mode.

wlsxTrapAPARMChangeReason

Syntax	ArubaARMChangeReason (INTEGER)
Max-Access	accessible-for-notify
Status	current
Description	This Object represents the APs Previous Mode.

wlsxTrapAPChannelSec

Syntax	ArubaHTextChannel (INTEGER)
Max-Access	accessible-for-notify
Status	current
Description	This object is used in the traps to indicate the Current Secondary Channel.

wlsxTrapUserAttributeChangeType

Syntax	ArubaConfigurationChangeType (INTEGER)
Max-Access	accessible-for-notify
Status	current
Description	This object represents type of the configuration change.

wlsxTrapAPControllerIp

Syntax	IpAddress
Max-Access	accessible-for-notify
Status	current
Description	

wlsxTrapApMasterStatus

Syntax	ArubaAPMasterStatus (INTEGER)
Max-Access	accessible-for-notify
Status	current
Description	Status of the AP as seen by the master when the status changes.

wlsxTrapCaName

Syntax	DisplayString (SIZE(0..64))
Max-Access	accessible-for-notify
Status	current
Description	

wlsxTrapCrlName

Syntax	DisplayString (SIZE(0..64))
Max-Access	accessible-for-notify
Status	current
Description	This object is used in the traps to indicate the name of the CRL.

wlsxTrapCount

Syntax Integer32

Max-Access accessible-for-notify

Status current

Description

wlsxTrapAPPreviousUplinkType

Syntax ArubaAPUplinkType

Max-Access accessible-for-notify

Status current

Description

wlsxTrapAPPreviousUplinkActiveTime

Syntax TimeTicks

Max-Access accessible-for-notify

Status current

Description

wlsxTrapAPActiveUplinkType

Syntax ArubaAPUplinkType

Max-Access accessible-for-notify

Status current

Description

wlsxTrapAPUplinkChangeReason

Syntax ArubaAPUplinkChangeReason

Max-Access accessible-for-notify

Status current

Description

wlsxTrapAPManagedModeConfigFailure

Syntax DisplayString (SIZE(0..64))

Max-Access accessible-for-notify

Status current

Description This object indicates that the configuration application has failed on the AP.

ai Traps Definitions Group

Table 13: ai Traps Definitions Group OIDs

Object	Object ID	Object ID
wlsxNUserEntryCreated	1.3.6.1.4.1.14823.2.3.3.1.200.2.1014	wlsxTrapDefinitionsGroup1014
wlsxNUserEntryDeleted	1.3.6.1.4.1.14823.2.3.3.1.200.2.1015	wlsxTrapDefinitionsGroup1015
wlsxNUserEntryAuthenticated	1.3.6.1.4.1.14823.2.3.3.1.200.2.1016	wlsxTrapDefinitionsGroup1016
wlsxNUserEntryDeAuthenticated	1.3.6.1.4.1.14823.2.3.3.1.200.2.1017	wlsxTrapDefinitionsGroup1017
wlsxNUserAuthenticationFailed	1.3.6.1.4.1.14823.2.3.3.1.200.2.1018	wlsxTrapDefinitionsGroup1018
wlsxNAuthServerReqTimedOut	1.3.6.1.4.1.14823.2.3.3.1.200.2.1019	wlsxTrapDefinitionsGroup1019
wlsxNAuthServerTimedOut	1.3.6.1.4.1.14823.2.3.3.1.200.2.1020	wlsxTrapDefinitionsGroup1020
wlsxNAuthServerIsUp	1.3.6.1.4.1.14823.2.3.3.1.200.2.1021	wlsxTrapDefinitionsGroup1021
wlsxNAccessPointsIsUp	1.3.6.1.4.1.14823.2.3.3.1.200.2.1040	wlsxTrapDefinitionsGroup1040
wlsxNAccessPointsIsDown	1.3.6.1.4.1.14823.2.3.3.1.200.2.1041	wlsxTrapDefinitionsGroup1041
wlsxNChannelChanged	1.3.6.1.4.1.14823.2.3.3.1.200.2.1043	wlsxTrapDefinitionsGroup1043
wlsxNStationAddedToBlackList	1.3.6.1.4.1.14823.2.3.3.1.200.2.1044	wlsxTrapDefinitionsGroup1044
wlsxNStationRemovedFromBlackList	1.3.6.1.4.1.14823.2.3.3.1.200.2.1045	wlsxTrapDefinitionsGroup1045
wlsxNRadioAttributesChanged	1.3.6.1.4.1.14823.2.3.3.1.200.2.1049	wlsxTrapDefinitionsGroup1049
wlsxUnsecureAPDetected	1.3.6.1.4.1.14823.2.3.3.1.200.2.1053	wlsxTrapDefinitionsGroup1053
wlsxUnsecureAPResolved	1.3.6.1.4.1.14823.2.3.3.1.200.2.1054	wlsxTrapDefinitionsGroup1054
wlsxStalmpersonation	1.3.6.1.4.1.14823.2.3.3.1.200.2.1055	wlsxTrapDefinitionsGroup1055
wlsxReservedChannelViolation	1.3.6.1.4.1.14823.2.3.3.1.200.2.1056	wlsxTrapDefinitionsGroup1056
wlsxValidSSIDViolation	1.3.6.1.4.1.14823.2.3.3.1.200.2.1057	wlsxTrapDefinitionsGroup1057

Object	Object ID	Object ID
wlsxChannelMisconfiguration	1.3.6.1.4.1.14823.2.3.3.1.200.2.1058	wlsxTrapDefinitionsGroup1058
wlsxOUIMisconfiguration	1.3.6.1.4.1.14823.2.3.3.1.200.2.1059	wlsxTrapDefinitionsGroup1059
wlsxSSIDMisconfiguration	1.3.6.1.4.1.14823.2.3.3.1.200.2.1060	wlsxTrapDefinitionsGroup1060
wlsxShortPreamble Misconfiguration	1.3.6.1.4.1.14823.2.3.3.1.200.2.1061	wlsxTrapDefinitionsGroup1061
wlsxWPAMisconfiguration	1.3.6.1.4.1.14823.2.3.3.1.200.2.1062	wlsxTrapDefinitionsGroup1062
wlsxAdhocNetworkDetected	1.3.6.1.4.1.14823.2.3.3.1.200.2.1063	wlsxTrapDefinitionsGroup1063
wlsxAdhocNetworkRemoved	1.3.6.1.4.1.14823.2.3.3.1.200.2.1064	wlsxTrapDefinitionsGroup1064
wlsxStaPolicyViolation	1.3.6.1.4.1.14823.2.3.3.1.200.2.1065	wlsxTrapDefinitionsGroup1065
wlsxRepeatWEPIVViolation	1.3.6.1.4.1.14823.2.3.3.1.200.2.1066	wlsxTrapDefinitionsGroup1066
wlsxWeakWEPIVViolation	1.3.6.1.4.1.14823.2.3.3.1.200.2.1067	wlsxTrapDefinitionsGroup1067
wlsxChannelInterference Detected	1.3.6.1.4.1.14823.2.3.3.1.200.2.1068	wlsxTrapDefinitionsGroup1068
wlsxChannelInterference Cleared	1.3.6.1.4.1.14823.2.3.3.1.200.2.1069	wlsxTrapDefinitionsGroup1069
wlsxAPInterferenceDetected	1.3.6.1.4.1.14823.2.3.3.1.200.2.1070	wlsxTrapDefinitionsGroup1070
wlsxAPInterferenceCleared	1.3.6.1.4.1.14823.2.3.3.1.200.2.1071	wlsxTrapDefinitionsGroup1071
wlsxStaInterferenceDetected	1.3.6.1.4.1.14823.2.3.3.1.200.2.1072	wlsxTrapDefinitionsGroup1072
wlsxStaInterferenceCleared	1.3.6.1.4.1.14823.2.3.3.1.200.2.1073	wlsxTrapDefinitionsGroup1073
wlsxFrameRetryRateExceeded	1.3.6.1.4.1.14823.2.3.3.1.200.2.1074	wlsxTrapDefinitionsGroup1074
wlsxFrameReceiveErrorRate Exceeded	1.3.6.1.4.1.14823.2.3.3.1.200.2.1075	wlsxTrapDefinitionsGroup1075
wlsxFrameFragmentationRate Exceeded	1.3.6.1.4.1.14823.2.3.3.1.200.2.1076	wlsxTrapDefinitionsGroup1076
wlsxFrameBandWidthRate Exceeded	1.3.6.1.4.1.14823.2.3.3.1.200.2.1077	wlsxTrapDefinitionsGroup1077
wlsxFrameLowSpeedRate Exceeded	1.3.6.1.4.1.14823.2.3.3.1.200.2.1078	wlsxTrapDefinitionsGroup1078
wlsxFrameNonUnicastRate Exceeded	1.3.6.1.4.1.14823.2.3.3.1.200.2.1079	wlsxTrapDefinitionsGroup1079
wlsxLoadbalancingEnabled	1.3.6.1.4.1.14823.2.3.3.1.200.2.1080	wlsxTrapDefinitionsGroup1080
wlsxLoadbalancingDisabled	1.3.6.1.4.1.14823.2.3.3.1.200.2.1081	wlsxTrapDefinitionsGroup1081
wlsxChannelFrameRetryRate	1.3.6.1.4.1.14823.2.3.3.1.200.2.1082	wlsxTrapDefinitionsGroup1082

Object	Object ID	
Exceeded		
wlsxChannelFrameFragmentationRateExceeded	1.3.6.1.4.1.14823.2.3.3.1.200.2.1083	wlsxTrapDefinitionsGroup1083
wlsxChannelFrameErrorRateExceeded	1.3.6.1.4.1.14823.2.3.3.1.200.2.1084	wlsxTrapDefinitionsGroup1084
wlsxSignatureMatchAP	1.3.6.1.4.1.14823.2.3.3.1.200.2.1085	wlsxTrapDefinitionsGroup1085
wlsxSignatureMatchSta	1.3.6.1.4.1.14823.2.3.3.1.200.2.1086	wlsxTrapDefinitionsGroup1086
wlsxChannelRateAnomaly	1.3.6.1.4.1.14823.2.3.3.1.200.2.1087	wlsxTrapDefinitionsGroup1087
wlsxNodeRateAnomaly	1.3.6.1.4.1.14823.2.3.3.1.200.2.1003	wlsxTrapDefinitionsGroup1003
wlsxNodeRateAnomalyAP	1.3.6.1.4.1.14823.2.3.3.1.200.2.1088	wlsxTrapDefinitionsGroup1088
wlsxNodeRateAnomalySta	1.3.6.1.4.1.14823.2.3.3.1.200.2.1089	wlsxTrapDefinitionsGroup1089
wlsxEAPRateAnomaly	1.3.6.1.4.1.14823.2.3.3.1.200.2.1090	wlsxTrapDefinitionsGroup1090
wlsxSignalAnomaly	1.3.6.1.4.1.14823.2.3.3.1.200.2.1091	wlsxTrapDefinitionsGroup1091
wlsxSequenceNumberAnomalyAP	1.3.6.1.4.1.14823.2.3.3.1.200.2.1092	wlsxTrapDefinitionsGroup1092
wlsxSequenceNumberAnomalySta	1.3.6.1.4.1.14823.2.3.3.1.200.2.1093	wlsxTrapDefinitionsGroup1093
wlsxDisconnectStationAttack	1.3.6.1.4.1.14823.2.3.3.1.200.2.1094	wlsxTrapDefinitionsGroup1094
wlsxApFloodAttack	1.3.6.1.4.1.14823.2.3.3.1.200.2.1095	wlsxTrapDefinitionsGroup1095
wlsxAdhocNetwork	1.3.6.1.4.1.14823.2.3.3.1.200.2.1096	wlsxTrapDefinitionsGroup1096
wlsxWirelessBridge	1.3.6.1.4.1.14823.2.3.3.1.200.2.1097	wlsxTrapDefinitionsGroup1097
wlsxInvalidMacOUIAP	1.3.6.1.4.1.14823.2.3.3.1.200.2.1098	wlsxTrapDefinitionsGroup1098
wlsxInvalidMacOUISta	1.3.6.1.4.1.14823.2.3.3.1.200.2.1099	wlsxTrapDefinitionsGroup1099
wlsxWEPMisconfiguration	1.3.6.1.4.1.14823.2.3.3.1.200.2.1100	wlsxTrapDefinitionsGroup1100
wlsxStaRepeatWEPIVViolation	1.3.6.1.4.1.14823.2.3.3.1.200.2.1101	wlsxTrapDefinitionsGroup1101
wlsxStaWeakWEPIVViolation	1.3.6.1.4.1.14823.2.3.3.1.200.2.1102	wlsxTrapDefinitionsGroup1102
wlsxStaAssociatedToUnsecureAP	1.3.6.1.4.1.14823.2.3.3.1.200.2.1103	wlsxTrapDefinitionsGroup1103
wlsxStaUnAssociatedFromUnsecureAP	1.3.6.1.4.1.14823.2.3.3.1.200.2.1104	wlsxTrapDefinitionsGroup1104
wlsxAdhocNetworkBridgeDetected	1.3.6.1.4.1.14823.2.3.3.1.200.2.1105	wlsxTrapDefinitionsGroup1105

Object	Object ID	Object ID
wlsxInterferingApDetected	1.3.6.1.4.1.14823.2.3.3.1.200.2.1106	wlsxTrapDefinitionsGroup1106
wlsxColdStart	1.3.6.1.4.1.14823.2.3.3.1.200.2.1111	wlsxTrapDefinitionsGroup1111
wlsxWarmStart	1.3.6.1.4.1.14823.2.3.3.1.200.2.1112	wlsxTrapDefinitionsGroup1112
wlsxAPImpersonation	1.3.6.1.4.1.14823.2.3.3.1.200.2.1113	wlsxTrapDefinitionsGroup1113
wlsxNAAuthServerIsDown	1.3.6.1.4.1.14823.2.3.3.1.200.2.1115	wlsxTrapDefinitionsGroup1115
wlsxWindowsBridgeDetected	1.3.6.1.4.1.14823.2.3.3.1.200.2.1129	wlsxTrapDefinitionsGroup1129
wlsxSignAPNetstumbler	1.3.6.1.4.1.14823.2.3.3.1.200.2.1134	wlsxTrapDefinitionsGroup1134
wlsxSignStaNetstumbler	1.3.6.1.4.1.14823.2.3.3.1.200.2.1135	wlsxTrapDefinitionsGroup1135
wlsxSignAPAsleep	1.3.6.1.4.1.14823.2.3.3.1.200.2.1136	wlsxTrapDefinitionsGroup1136
wlsxSignStaAsleep	1.3.6.1.4.1.14823.2.3.3.1.200.2.1137	wlsxTrapDefinitionsGroup1137
wlsxSignAPAirjack	1.3.6.1.4.1.14823.2.3.3.1.200.2.1138	wlsxTrapDefinitionsGroup1138
wlsxSignStaAirjack	1.3.6.1.4.1.14823.2.3.3.1.200.2.1139	wlsxTrapDefinitionsGroup1139
wlsxSignAPNullProbeResp	1.3.6.1.4.1.14823.2.3.3.1.200.2.1140	wlsxTrapDefinitionsGroup1140
wlsxSignStaNullProbeResp	1.3.6.1.4.1.14823.2.3.3.1.200.2.1141	wlsxTrapDefinitionsGroup1141
wlsxSignAPDeathBcast	1.3.6.1.4.1.14823.2.3.3.1.200.2.1142	wlsxTrapDefinitionsGroup1142
wlsxSignStaDeathBcast	1.3.6.1.4.1.14823.2.3.3.1.200.2.1143	wlsxTrapDefinitionsGroup1143
wlsxWindowsBridgeDetectedAP	1.3.6.1.4.1.14823.2.3.3.1.200.2.1144	wlsxTrapDefinitionsGroup1144
wlsxWindowsBridgeDetectedSta	1.3.6.1.4.1.14823.2.3.3.1.200.2.1145	wlsxTrapDefinitionsGroup1145
wlsxAdhocNetworkBridge DetectedAP	1.3.6.1.4.1.14823.2.3.3.1.200.2.1146	wlsxTrapDefinitionsGroup1146
wlsxAdhocNetworkBridge DetectedSta	1.3.6.1.4.1.14823.2.3.3.1.200.2.1147	wlsxTrapDefinitionsGroup1147
wlsxDisconnectStationAttackAP	1.3.6.1.4.1.14823.2.3.3.1.200.2.1148	wlsxTrapDefinitionsGroup1148
wlsxDisconnectStationAttackSta	1.3.6.1.4.1.14823.2.3.3.1.200.2.1149	wlsxTrapDefinitionsGroup1149
wlsxSuspectUnsecureAP Detected	1.3.6.1.4.1.14823.2.3.3.1.200.2.1150	wlsxTrapDefinitionsGroup1150
wlsxSuspectUnsecureAP Resolved	1.3.6.1.4.1.14823.2.3.3.1.200.2.1151	wlsxTrapDefinitionsGroup1151
wlsxHtGreenfieldSupported	1.3.6.1.4.1.14823.2.3.3.1.200.2.1157	wlsxTrapDefinitionsGroup1157
wlsxHT40MHzIntoleranceAP	1.3.6.1.4.1.14823.2.3.3.1.200.2.1158	wlsxTrapDefinitionsGroup1158

Object	Object ID	Object ID
wlsxHT40MHzIntoleranceSta	1.3.6.1.4.1.14823.2.3.3.1.200.2.1159	wlsxTrapDefinitionsGroup1159
wlsxNAdhocNetwork	1.3.6.1.4.1.14823.2.3.3.1.200.2.1161	wlsxTrapDefinitionsGroup1161
wlsxNAdhocNetworkBridge DetectedAP	1.3.6.1.4.1.14823.2.3.3.1.200.2.1162	wlsxTrapDefinitionsGroup1162
wlsxNAdhocNetworkBridge DetectedSta	1.3.6.1.4.1.14823.2.3.3.1.200.2.1163	wlsxTrapDefinitionsGroup1163
wlsxClientFloodAttack	1.3.6.1.4.1.14823.2.3.3.1.200.2.1170	wlsxTrapDefinitionsGroup1170
wlsxValidClientNotUsing Encryption	1.3.6.1.4.1.14823.2.3.3.1.200.2.1171	wlsxTrapDefinitionsGroup1171
wlsxAdhocUsingValidSSID	1.3.6.1.4.1.14823.2.3.3.1.200.2.1172	wlsxTrapDefinitionsGroup1172
wlsxAPSpooftingDetected	1.3.6.1.4.1.14823.2.3.3.1.200.2.1173	wlsxTrapDefinitionsGroup1173
wlsxClientAssociatingOn WrongChannel	1.3.6.1.4.1.14823.2.3.3.1.200.2.1174	wlsxTrapDefinitionsGroup1174
wlsxNDisconnectStationAttack	1.3.6.1.4.1.14823.2.3.3.1.200.2.1175	wlsxTrapDefinitionsGroup1175
wlsxNStaUnAssociatedFrom UnsecureAP	1.3.6.1.4.1.14823.2.3.3.1.200.2.1176	wlsxTrapDefinitionsGroup1176
wlsxOmertaAttack	1.3.6.1.4.1.14823.2.3.3.1.200.2.1177	wlsxTrapDefinitionsGroup1177
wlsxTKIPReplayAttack	1.3.6.1.4.1.14823.2.3.3.1.200.2.1178	wlsxTrapDefinitionsGroup1178
wlsxChopChopAttack	1.3.6.1.4.1.14823.2.3.3.1.200.2.1179	wlsxTrapDefinitionsGroup1179
wlsxFataJackAttack	1.3.6.1.4.1.14823.2.3.3.1.200.2.1180	wlsxTrapDefinitionsGroup1180
wlsxInvalidAddress Combination	1.3.6.1.4.1.14823.2.3.3.1.200.2.1181	wlsxTrapDefinitionsGroup1181
wlsxValidClientMisassociation	1.3.6.1.4.1.14823.2.3.3.1.200.2.1182	wlsxTrapDefinitionsGroup1182
wlsxMalformedHTIEDetected	1.3.6.1.4.1.14823.2.3.3.1.200.2.1183	wlsxTrapDefinitionsGroup1183
wlsxMalformedAssocReq Detected	1.3.6.1.4.1.14823.2.3.3.1.200.2.1184	wlsxTrapDefinitionsGroup1184
wlsxOverflowIEDetected	1.3.6.1.4.1.14823.2.3.3.1.200.2.1185	wlsxTrapDefinitionsGroup1185
wlsxOverflowEAPOLKey Detected	1.3.6.1.4.1.14823.2.3.3.1.200.2.1186	wlsxTrapDefinitionsGroup1186
wlsxMalformedFrameLarge DurationDetected	1.3.6.1.4.1.14823.2.3.3.1.200.2.1187	wlsxTrapDefinitionsGroup1187
wlsxMalformedFrameWrong ChannelDetected	1.3.6.1.4.1.14823.2.3.3.1.200.2.1188	wlsxTrapDefinitionsGroup1188

Object	Object ID	
wlsxMalformedAuthFrame	1.3.6.1.4.1.14823.2.3.3.1.200.2.1189	wlsxTrapDefinitionsGroup1189
wlsxCTSRateAnomaly	1.3.6.1.4.1.14823.2.3.3.1.200.2.1190	wlsxTrapDefinitionsGroup1190
wlsxRTSRateAnomaly	1.3.6.1.4.1.14823.2.3.3.1.200.2.1191	wlsxTrapDefinitionsGroup1191
wlsxNRogueAPDetected	1.3.6.1.4.1.14823.2.3.3.1.200.2.1192	wlsxTrapDefinitionsGroup1192
wlsxNRogueAPResolved	1.3.6.1.4.1.14823.2.3.3.1.200.2.1193	wlsxTrapDefinitionsGroup1193
wlsxNeighborAPDetected	1.3.6.1.4.1.14823.2.3.3.1.200.2.1194	wlsxTrapDefinitionsGroup1194
wlsxNInterferingAPDetected	1.3.6.1.4.1.14823.2.3.3.1.200.2.1195	wlsxTrapDefinitionsGroup1195
wlsxNSuspectRogueAP Detected	1.3.6.1.4.1.14823.2.3.3.1.200.2.1196	wlsxTrapDefinitionsGroup1196
wlsxNSuspectRogueAP Resolved	1.3.6.1.4.1.14823.2.3.3.1.200.2.1197	wlsxTrapDefinitionsGroup1197
wlsxBlockAckAttackDetected	1.3.6.1.4.1.14823.2.3.3.1.200.2.1198	wlsxTrapDefinitionsGroup1198
wlsxHotspotterAttackDetected	1.3.6.1.4.1.14823.2.3.3.1.200.2.1199	wlsxTrapDefinitionsGroup1199
wlsxNSignatureMatch	1.3.6.1.4.1.14823.2.3.3.1.200.2.1200	wlsxTrapDefinitionsGroup1200
wlsxNSignatureMatch Netstumbler	1.3.6.1.4.1.14823.2.3.3.1.200.2.1201	wlsxTrapDefinitionsGroup1201
wlsxNSignatureMatchAsleep	1.3.6.1.4.1.14823.2.3.3.1.200.2.1202	wlsxTrapDefinitionsGroup1202
wlsxNSignatureMatchAirjack	1.3.6.1.4.1.14823.2.3.3.1.200.2.1203	wlsxTrapDefinitionsGroup1203
wlsxNSignatureMatchNull ProbeResp	1.3.6.1.4.1.14823.2.3.3.1.200.2.1204	wlsxTrapDefinitionsGroup1204
wlsxNSignatureMatchDeath Bcast	1.3.6.1.4.1.14823.2.3.3.1.200.2.1205	wlsxTrapDefinitionsGroup1205
wlsxNSignatureMatchDisassoc Bcast	1.3.6.1.4.1.14823.2.3.3.1.200.2.1206	wlsxTrapDefinitionsGroup1206
wlsxNSignatureMatch Wellenreiter	1.3.6.1.4.1.14823.2.3.3.1.200.2.1207	wlsxTrapDefinitionsGroup1207
wlsxAPDeathContainment	1.3.6.1.4.1.14823.2.3.3.1.200.2.1208	wlsxTrapDefinitionsGroup1208
wlsxClientDeathContainment	1.3.6.1.4.1.14823.2.3.3.1.200.2.1209	wlsxTrapDefinitionsGroup1209
wlsxAPWiredContainment	1.3.6.1.4.1.14823.2.3.3.1.200.2.1210	wlsxTrapDefinitionsGroup1210
wlsxClientWiredContainment	1.3.6.1.4.1.14823.2.3.3.1.200.2.1211	wlsxTrapDefinitionsGroup1211
wlsxAPTaggedWired Containment	1.3.6.1.4.1.14823.2.3.3.1.200.2.1212	wlsxTrapDefinitionsGroup1212
wlsxClientTaggedWired	1.3.6.1.4.1.14823.2.3.3.1.200.2.1213	wlsxTrapDefinitionsGroup1213

Object	Object ID	
Containment		
wlsxTarpitContainment	1.3.6.1.4.1.14823.2.3.3.1.200.2.1214	wlsxTrapDefinitionsGroup1214
wlsxAPChannelChange	1.3.6.1.4.1.14823.2.3.3.1.200.2.1216	wlsxTrapDefinitionsGroup1216
wlsxAPPowerChange	1.3.6.1.4.1.14823.2.3.3.1.200.2.1217	wlsxTrapDefinitionsGroup1217
wlsxAPModeChange	1.3.6.1.4.1.14823.2.3.3.1.200.2.1218	wlsxTrapDefinitionsGroup1218
wlsxUserEntryAttributes Changed	1.3.6.1.4.1.14823.2.3.3.1.200.2.1219	wlsxTrapDefinitionsGroup1219
wlsxPowerSaveDosAttack	1.3.6.1.4.1.14823.2.3.3.1.200.2.1220	wlsxTrapDefinitionsGroup1220
wlsxNAPMasterStatusChange	1.3.6.1.4.1.14823.2.3.3.1.200.2.1221	wlsxTrapDefinitionsGroup1221
wlsxNAdhocUsingValidSSID	1.3.6.1.4.1.14823.2.3.3.1.200.2.1222	wlsxTrapDefinitionsGroup1222
wlsxMgmtUserAuthentication Failed	1.3.6.1.4.1.14823.2.3.3.1.200.2.1224	wlsxTrapDefinitionsGroup1224

wlsxNUserEntryCreated

Objects	wlsxTrapTime, wlsxTrapUserIpAddress, wlsxTrapUserPhyAddress
Status	current
Description	This trap indicates that a new user was created.

wlsxNUserEntryDeleted

Objects	wlsxTrapTime, wlsxTrapUserIpAddress, wlsxTrapUserPhyAddress
Status	current
Description	This trap indicates that a user was deleted.

wlsxNUserEntryAuthenticated

Objects	wlsxTrapTime, wlsxTrapUserIpAddress, wlsxTrapUserPhyAddress, wlsxTrapUserName, wlsxTrapUserAuthenticatio Method, wlsxTrapUserRole
Status	current
Description	This trap indicates that a user is Authenticated.

wlsxNUserEntryDeAuthenticated

Objects	wlsxTrapTime, wlsxTrapUserIpAddress, wlsxTrapUserPhyAddress
Status	current
Description	This trap indicates that a user is Deauthenticated.

wlsxNUserAuthenticationFailed

Objects	wlsxTrapTime, wlsxTrapUserIpAddress, wlsxTrapUserPhyAddress
Status	current
Description	This trap indicates that a user authentication has failed.

wlsxNAuthServerReqTimedOut

Objects	wlsxTrapTime, wlsxTrapAuthServerName
Status	current
Description	This trap indicates that the authentication server request timed out.

wlsxNAuthServerTimedOut

Objects	wlsxTrapTime, wlsxTrapAuthServerName, wlsxTrapAuthServerTimeout
Status	current
Description	This trap indicates that the authentication server timed out.

wlsxNAuthServerIsUp

Objects	wlsxTrapTime, wlsxTrapAuthServerName
Status	current
Description	This trap indicates that an authentication server is up.

wlsxNAccessPointIsUp

Objects	wlsxTrapTime, wlsxTrapAPMacAddress
Status	current
Description	A Trap which indicates that an access point up.

wlsxNAccessPointIsDown

Objects	wlsxTrapTime, wlsxTrapAPMacAddress
Status	current
Description	A Trap which indicates that an access point down.

wlsxNChannelChanged

Objects	wlsxTrapTime, wlsxTrapAPBSSID, wlsxTrapAPLocation, wlsxTrapAPChannel
Status	current
Description	This trap indicates that an access point at Location wlsxTrapAPLocation has changed the channel.

wlsxNStationAddedToBlackList

Objects	wlsxTrapTime, wlsxTrapNodeMac, wlsxTrapStationBlackListReason
Status	current
Description	This trap indicates that the station is black listed.

wlsxNStationRemovedFromBlackList

Objects	wlsxTrapTime, wlsxTrapNodeMac
Status	current
Description	This trap indicates that the station is removed from the black list. the frame type.

wlsxNRadioAttributesChanged

Objects	{wlsxTrapTime, wlsxTrapAPMacAddress, wlsxTrapAPRadioNumber, wlsxTrapAPIpAddress, wlsxTrapAPChannel, wlsxTrapAPTxFPower }
Status	current
Description	A Trap which indicates changes in the Radio attributes of an access point.

wlsxUnsecureAPDetected

Objects	{wlsxTrapTime, wlsxTrapTargetAPBSSID, wlsxTrapTargetAPSSID, wlsxTrapAPMacAddress, wlsxTrapAPRadioNumber, wlsxTrapAPLocation, wlsxTrapAPChannel, wlsxTrapMatchedMac, wlsxTrapMatchedIp, wlsxTrapRogueInfoURL}
Status	current
Description	This trap indicates that an unauthorized access point is connected to the wired network. The access point is declared Rogue because it was matched to a MAC address.

wlsxUnsecureAPResolved

Objects	{wlsxTrapTime, wlsxTrapTargetAPBSSID, wlsxTrapTargetAPSSID, wlsxTrapAPMacAddress, wlsxTrapAPRadioNumber, wlsxTrapAPLocation, wlsxTrapAPChannel }
Status	current
Description	This trap indicates that a previously detected access point, classified as Rogue, is no longer present in the network.

wlsxStalImpersonation

Objects	{ wlsxTrapTime, wlsxTrapNodeMac, wlsxTrapAPMacAddress, wlsxTrapAPRadioNumber, wlsxTrapAPLocation }
Status	current
Description	This trap indicates that an AM detected Station Impersonation.

wlsxReservedChannelViolation

Objects	{wlsxTrapTime, wlsxTrapTargetAPBSSID, wlsxTrapTargetAPSSID, wlsxTrapAPMacAddress, wlsxTrapAPRadioNumber, wlsxTrapAPLocation, wlsxTrapAPChannel }
Status	current
Description	This trap indicates that an AM detected an access point which is violating the Reserved Channel configuration.

wlsxValidSSIDViolation

Objects	{wlsxTrapTime, wlsxTrapTargetAPBSSID, wlsxTrapTargetAPSSID, wlsxTrapAPMacAddress, wlsxTrapAPRadioNumber, wlsxTrapAPLocation, wlsxTrapAPChannel }
Status	current
Description	This trap indicates that an AP has detected an access point is violating Valid SSID configuration by using an SSID that is reserved for use by a valid AP only.

wlsxChannelMisconfiguration

Objects	{wlsxTrapTime, wlsxTrapTargetAPBSSID, wlsxTrapTargetAPSSID, wlsxTrapAPMacAddress, wlsxTrapAPRadioNumber, wlsxTrapAPLocation, wlsxTrapAPChannel }
Status	current
Description	This trap indicates that an AP detected an access point that has a channel misconfiguration because it is using a channel that is not valid.

wlsxOUIMisconfiguration

Objects	{wlsxTrapTime, wlsxTrapTargetAPBSSID, wlsxTrapTargetAPSSID, wlsxTrapAPMacAddress, wlsxTrapAPRadioNumber, wlsxTrapAPLocation, wlsxTrapAPChannel }
Status	current
Description	This trap indicates that an AP detected an access point that has an OUI misconfiguration because it is using an OUI that is not valid.

wlsxSSIDMisconfiguration

Objects	{wlsxTrapTime, wlsxTrapTargetAPBSSID, wlsxTrapTargetAPSSID, wlsxTrapAPMacAddress, wlsxTrapAPRadioNumber, wlsxTrapAPLocation, wlsxTrapAPChannel }
Status	current
Description	This trap indicates that an AP detected an access point that has an SSID misconfiguration because it is using an SSID that is not valid.

wlsxShortPreambleMisconfiguration

Objects	{ wlsxTrapTime, wlsxTrapTargetAPBSSID, wlsxTrapTargetAPSSID, wlsxTrapAPMacAddress, wlsxTrapAPRadioNumber, wlsxTrapAPLocation, wlsxTrapAPChannel }
Status	current
Description	This trap indicates that an access point has bad short preamble configuration.

wlsxWPAMisconfiguration

Objects	{ wlsxTrapTime, wlsxTrapTargetAPBSSID, wlsxTrapTargetAPSSID, wlsxTrapAPMacAddress, wlsxTrapAPRadioNumber, wlsxTrapAPLocation, wlsxTrapAPChannel }
Status	current
Description	This trap indicates that an AP detected an access point that is misconfigured because it is not using WPA.

wlsxAdhocNetworkDetected

Objects	{wlsxTrapTime, wlsxTrapTargetAPBSSID, wlsxTrapTargetAPSSID, wlsxTrapAPMacAddress, wlsxTrapAPRadioNumber, wlsxTrapAPLocation, wlsxTrapAPChannel }
Status	current
Description	This trap indicates that an AM has detected an adhoc network.

wlsxAdhocNetworkRemoved

Objects	{ wlsxTrapTime, wlsxTrapTargetAPBSSID, wlsxTrapTargetAPSSID, wlsxTrapAPMacAddress, wlsxTrapAPRadioNumber, wlsxTrapAPLocation, wlsxTrapAPChannel }
Status	current
Description	This trap indicates that a previously detected adhoc network is no longer present in the network.

wlsxStaPolicyViolation

Objects	{wlsxTrapTime, wlsxTrapTargetAPBSSID, wlsxTrapNodeMac, wlsxTrapAPMacAddress, wlsxTrapAPRadioNumber, wlsxTrapAPLocation, wlsxTrapAPChannel }
Status	current
Description	This trap indicates that Protection was enforced because a valid station's association to a non-valid access point violated Valid Station policy. For more information check http://www.wve.org/entries/show/WVE-2005-0008 and http://www.wve.org/entries/show/WVE-2005-0019 .

wlsxRepeatWEPIVViolation

Objects	{wlsxTrapTime, wlsxTrapTargetAPBSSID, wlsxTrapTargetAPSSID, wlsxTrapAPMacAddress, wlsxTrapAPRadioNumber, wlsxTrapAPLocation, wlsxTrapAPChannel }
Status	current
Description	This trap indicates that an AP detected that a valid access point is using the same WEP initialization vector in consecutive packets.

wlsxWeakWEPIVViolation

Objects	{ wlsxTrapTime, wlsxTrapTargetAPBSSID, wlsxTrapTargetAPSSID, wlsxTrapAPMacAddress, wlsxTrapAPRadioNumber, wlsxTrapAPLocation, wlsxTrapAPChannel}
Status	current
Description	This trap indicates that an AP detected that a valid access point is using a Weak WEP initialization vector. For more information check http://www.wve.org/entries/show/WVE-2005-0021

wlsxChannelInterferenceDetected

Objects	{wlsxTrapTime, wlsxTrapAPMacAddress, wlsxTrapAPRadioNumber, wlsxTrapAPLocation, wlsxTrapAPChannel}
Status	current
Description	This trap indicates that an AP has detected channel interference.

wlsxChannelInterferenceCleared

Objects	{wlsxTrapTime, wlsxTrapAPMacAddress, wlsxTrapAPRadioNumber, wlsxTrapAPLocation, wlsxTrapAPChannel}
Status	current
Description	This trap indicates that a previously detected channel interference is no longer present.

wlsxAPIInterferenceDetected

Objects	{ wlsxTrapTime, wlsxTrapTargetAPBSSID, wlsxTrapTargetAPSSID, wlsxTrapAPMacAddress, wlsxTrapAPRadioNumber, wlsxTrapAPLocation, wlsxTrapAPChannel }
Status	current
Description	This trap indicates that an AP has detected interference for an access point.

wlsxAPIInterferenceCleared

Objects	{ wlsxTrapTime, wlsxTrapTargetAPBSSID, wlsxTrapTargetAPSSID, wlsxTrapAPMacAddress, wlsxTrapAPRadioNumber, wlsxTrapAPLocation, wlsxTrapAPChannel }
Status	current
Description	This trap indicates that the previously detected interference for an access point is no longer present.

wlsxStaInterferenceDetected

Objects	{ wlsxTrapTime, wlsxTrapTargetAPBSSID, wlsxTrapTargetAPSSID, wlsxTrapAPMacAddress, wlsxTrapAPRadioNumber, wlsxTrapNodeMac, wlsxTrapAPLocation, wlsxTrapAPChannel }
Status	current
Description	This trap indicates that an AP has detected interference for a station.

wlsxStaInterferenceCleared

Objects	{ wlsxTrapTime, wlsxTrapTargetAPBSSID, wlsxTrapTargetAPSSID, wlsxTrapAPMacAddress, wlsxTrapAPRadioNumber, wlsxTrapNodeMac, wlsxTrapAPLocation, wlsxTrapAPChannel }
Status	current
Description	This trap indicates that the previously detected interference for a station is no longer present.

wlsxFrameRetryRateExceeded

Objects	{ wlsxTrapTime, wlsxTrapTargetAPBSSID, wlsxTrapTargetAPSSID, wlsxTrapAPMacAddress, wlsxTrapAPRadioNumber, wlsxTrapAPLocation, wlsxTrapAPChannel }
Status	current
Description	This trap indicates that an AP detected that an access point has exceeded the configured upper threshold for Frame Retry Rate.

wlsxFrameReceiveErrorRateExceeded

Objects	{ wlsxTrapTime, wlsxTrapTargetAPBSSID, wlsxTrapTargetAPSSID, wlsxTrapAPMacAddress, wlsxTrapAPRadioNumber, wlsxTrapTargetAPChannel, wlsxTrapAPLocation }
Status	current
Description	This trap indicates that an AP detected that an access point has exceeded the configured upper threshold for Frame Receive Error Rate.

wlsxFrameFragmentationRateExceeded

Objects	{ wlsxTrapTime, wlsxTrapTargetAPBSSID, wlsxTrapTargetAPSSID, wlsxTrapAPMacAddress, wlsxTrapAPRadioNumber, wlsxTrapTargetAPChannel, wlsxTrapAPLocation }
Status	current
Description	This trap indicates that an AP detected that an access point exceeded the configured upper threshold for Frame Fragmentation Rate.

wlsxFrameBandWidthRateExceeded

Objects	{ wlsxTrapTime, wlsxTrapNodeMac, wlsxTrapTargetAPBSSID, wlsxTrapTargetAPSSID, wlsxTrapAPMacAddress, wlsxTrapAPRadioNumber, wlsxTrapAPLocation, wlsxTrapAPChannel }
Status	current
Description	This trap indicates that an AP detected that a station or access point has exceeded the configured upper threshold for Bandwidth rate.

wlsxFrameLowSpeedRateExceeded

Objects	{ wlsxTrapTime, wlsxTrapNodeMac, wlsxTrapTargetAPBSSID, wlsxTrapTargetAPSSID, wlsxTrapAPMacAddress, wlsxTrapAPRadioNumber, wlsxTrapAPLocation, wlsxTrapAPChannel }
Status	current
Description	This trap indicates that an AP detected that a station has exceeded the configured upper threshold for Low speed rate.

wlsxFrameNonUnicastRateExceeded

Objects	{ wlsxTrapTime, wlsxTrapNodeMac, wlsxTrapTargetAPBSSID, wlsxTrapTargetAPSSID, wlsxTrapAPMacAddress, wlsxTrapAPRadioNumber, wlsxTrapAPLocation, wlsxTrapAPChannel}
Status	current
Description	This trap indicates that an AP detected that station has exceeded the configured upper threshold for Non Unicast traffic rate.

wlsxLoadbalancingEnabled

Objects	{wlsxTrapTime, wlsxTrapTargetAPBSSID, wlsxTrapTargetAPSSID, wlsxTrapAPMacAddress, wlsxTrapAPRadioNumber, wlsxTrapAPLocation, wlsxTrapAPChannel }
Status	current
Description	

wlsxLoadbalancingDisabled

Objects	{wlsxTrapTime, wlsxTrapTargetAPBSSID, wlsxTrapTargetAPSSID, wlsxTrapAPMacAddress, wlsxTrapAPRadioNumber, wlsxTrapAPLocation, wlsxTrapAPChannel }
Status	current
Description	This trap indicates that an AM is reporting that an AP has enabled Load balancing.

wlsxChannelFrameRetryRateExceeded

Objects	{wlsxTrapTime, wlsxTrapAPMacAddress, wlsxTrapAPRadioNumber, wlsxTrapAPLocation, wlsxTrapAPChannel}
Status	current
Description	This trap indicates that an AP has detected that the configured upper threshold for Frame Retry Rate was exceeded on a channel.

wlsxChannelFrameFragmentationRateExceeded

Objects	{wlsxTrapTime, wlsxTrapAPMacAddress, wlsxTrapAPRadioNumber, wlsxTrapAPLocation, wlsxTrapAPChannel}
Status	current
Description	This trap indicates that an AP has detected that the configured upper threshold for Frame Fragmentation Rate was exceeded on a channel.

wlsxChannelFrameErrorRateExceeded

Objects	{wlsxTrapTime, wlsxTrapAPMacAddress, wlsxTrapAPRadioNumber, wlsxTrapAPLocation, wlsxTrapAPChannel}
Status	current
Description	This trap indicates that an AP has detected that the configured upper threshold for Frame Receive Error Rate was exceeded on a channel.

wlsxSignatureMatchAP

Objects	{wlsxTrapTime, wlsxTrapSignatureName, wlsxTrapTargetAPBSSID, wlsxTrapTargetAPSSID, wlsxTrapSnr, wlsxTrapAPMacAddress, wlsxTrapAPRadioNumber, wlsxTrapAPLocation}
Status	current
Description	This trap indicates that an AP detected a signature match in a frame from an access point.

wlsxSignatureMatchSta

Objects	{ wlsxTrapTime, wlsxTrapSignatureName, wlsxTrapSourceMac, wlsxTrapSnr, wlsxTrapAPMacAddress, wlsxTrapAPRadioNumber, wlsxTrapAPLocation }
Status	current
Description	This trap indicates that an AP detected a signature match in a frame from a Station.

wlsxChannelRateAnomaly

Objects	{ wlsxTrapTime, wlsxTrapFrameType, wlsxTrapAPMacAddress, wlsxTrapAPRadioNumber, wlsxTrapAPLocation, wlsxTrapAPChannel }
Status	current
Description	This trap indicates that an AP detected frames on a channel which exceed the configured IDS rate threshold. For more information check: http://www.wve.org/entries/show/WVE-2005-0052 http://www.wve.org/entries/show/WVE-2005-0045 http://www.wve.org/entries/show/WVE-2005-0046 http://www.wve.org/entries/show/WVE-2005-0047 http://www.wve.org/entries/show/WVE-2005-0048

wlsxNodeRateAnomaly

Objects	wlsxTrapTime, wlsxTrapFrameType, wlsxTrapNodeMac, wlsxTrapSnr, wlsxTrapAPBSSID, wlsxTrapAPLocation
Status	current
Description	This trap indicates that a node is exceeding the threshold set for the frame type.

wlsxNodeRateAnomalyAP

Objects	{wlsxTrapTime, wlsxTrapFrameType, wlsxTrapTargetAPBSSID, wlsxTrapTargetAPSSID, wlsxTrapSnr, wlsxTrapAPMacAddress, wlsxTrapAPRadioNumber, wlsxTrapAPLocation}
Status	current
Description	This trap indicates that an AP detected frames transmitted or received by an access point, which exceed the configured IDS rate threshold. For more information check: http://www.wve.org/entries/show/WVE-2005-0052 http://www.wve.org/entries/show/WVE-2005-0045 http://www.wve.org/entries/show/WVE-2005-0046 http://www.wve.org/entries/show/WVE-2005-0047 http://www.wve.org/entries/show/WVE-2005-0048

wlsxNodeRateAnomalySta

Objects	{wlsxTrapTime, wlsxTrapFrameType, wlsxTrapNodeMac, wlsxTrapSnr, wlsxTrapAPMacAddress, wlsxTrapAPRadioNumber, wlsxTrapAPLocation}
Status	current
Description	This trap indicates that an AP detected frames transmitted or received by a node, which exceed the configured IDS rate threshold.

wlsxEAPRateAnomaly

Objects	{wlsxTrapTime, wlsxTrapAPMacAddress, wlsxTrapAPRadioNumber, wlsxTrapAPLocation, wlsxTrapAPChannel}
Status	current
Description	This trap indicates that the rate of EAP Handshake packets received by an AP has exceeded the configured IDS EAP Handshake rate threshold. For more information check http://www.wve.org/entries/show/WVE-2005-0049

wlsxSignalAnomaly

Objects	{wlsxTrapTime, wlsxTrapAPMacAddress, wlsxTrapAPRadioNumber, wlsxTrapAPLocation, wlsxTrapAPChannel }
Status	current
Description	This trap indicates that an AM detected a Signal Anomaly.

wlsxSequenceNumberAnomalyAP

Objects	{ wlsxTrapTime, wlsxTrapTargetAPBSSID, wlsxTrapTargetAPSSID, wlsxTrapSnr, wlsxTrapAPMacAddress, wlsxTrapAPRadioNumber, wlsxTrapAPLocation }
Status	current
Description	<p>This trap indicates that an AM received packets from an AP which exceeds the acceptable sequence number difference. The acceptable sequence number difference is an IDS configuration object.</p> <p>For more information check: http://www.wve.org/entries/show/WVE-2005-0061 http://www.wve.org/entries/show/WVE-2005-0019 http://www.wve.org/entries/show/WVE-2005-0008 http://www.wve.org/entries/show/WVE-2005-0045 http://www.wve.org/entries/show/WVE-2005-0046 http://www.wve.org/entries/show/WVE-2005-0047 http://www.wve.org/entries/show/WVE-2005-0048</p>

wlsxSequenceNumberAnomalySta

Objects	wlsxTrapTime, wlsxTrapSourceMac, wlsxTrapSnr, wlsxTrapAPMacAddress, wlsxTrapAPRadioNumber, wlsxTrapAPLocation
Status	current
Description	<p>This trap indicates that an AM received packets from a Node which exceeds the acceptable sequence number difference. The acceptable sequence number difference is an IDS configuration object.</p> <p>For more information check: http://www.wve.org/entries/show/WVE-2005-0061 http://www.wve.org/entries/show/WVE-2005-0019 http://www.wve.org/entries/show/WVE-2005-0008 http://www.wve.org/entries/show/WVE-2005-0045 http://www.wve.org/entries/show/WVE-2005-0046 http://www.wve.org/entries/show/WVE-2005-0047 http://www.wve.org/entries/show/WVE-2005-0048</p>

wlsxDisconnectStationAttack

Objects	{ wlsxTrapTime, wlsxTrapFrameType, wlsxTrapSourceMac, wlsxTrapSnr, wlsxTrapAPMacAddress, wlsxTrapAPRadioNumber, wlsxTrapAPLocation }
Status	current
Description	<p>This trap indicates that an AM detected a station Disconnect attack.</p> <p>For more information check: http://www.wve.org/entries/show/WVE-2005-0045 http://www.wve.org/entries/show/WVE-2005-0046 http://www.wve.org/entries/show/WVE-2005-0048</p>

wlsxApFloodAttack

Objects	{ wlsxTrapTime, wlsxTrapAPMacAddress, wlsxTrapAPRadioNumber, wlsxTrapAPLocation}
Status	current
Description	This trap indicates that the number of potential fake APs detected by an AP has exceeded the configured IDS threshold. This is the total number of fake APs observed across all bands. For more information check http://www.wve.org/entries/show/WVE-2005-0056

wlsxAdhocNetwork

Objects	{ wlsxTrapTime, wlsxTrapSourceMac, wlsxTrapTargetAPBSSID, wlsxTrapTargetAPSSID, wlsxTrapSnr, wlsxTrapAPMacAddress, wlsxTrapAPRadioNumber, wlsxTrapAPLocation }
Status	current
Description	This trap indicates that an AM detected an Adhoc Network. A station is connected to an adhoc AP.

wlsxWirelessBridge

Objects	{ wlsxTrapTime, wlsxTrapTransmitterMac, wlsxTrapReceiverMac, wlsxTrapSnr, wlsxTrapAPMacAddress, wlsxTrapAPRadioNumber, wlsxTrapAPLocation}
Status	current
Description	This trap indicates that an AP detected a Wireless Bridge when a WDS frame was seen between the transmitter and receiver addresses.

wlsxInvalidMacOUIAP

Objects	{wlsxTrapTime, wlsxTrapAddressType, wlsxTrapTargetAPBSSID, wlsxTrapTargetAPSSID, wlsxTrapSnr, wlsxTrapAPMacAddress, wlsxTrapAPRadioNumber, wlsxTrapAPLocation}
Status	current
Description	This trap indicates that an AP detected an invalid MAC OUI in the BSSID of a frame. An invalid MAC OUI suggests that the frame may be spoofed.

wlsxInvalidMacOUISta

Objects	{wlsxTrapTime, wlsxTrapAddressType, wlsxTrapNodeMac, wlsxTrapSnr, wlsxTrapAPMacAddress, wlsxTrapAPRadioNumber, wlsxTrapAPLocation}
Status	current
Description	This trap indicates that an AP detected an invalid MAC OUI in the SRC or DST address of a frame. An invalid MAC OUI suggests that the frame may be spoofed.

wlsxWEPMisconfiguration

Objects	{wlsxTrapTime, wlsxTrapTargetAPBSSID, wlsxTrapTargetAPSSID, wlsxTrapAPMacAddress, wlsxTrapAPRadioNumber, wlsxTrapAPLocation, wlsxTrapAPChannel}
Status	current
Description	This trap indicates that an AP detected an access point that is misconfigured because it does not have Privacy enabled.

wlsxStaRepeatWEPIVViolation

Objects	{wlsxTrapTime, wlsxTrapTargetAPBSSID, wlsxTrapTargetAPSSID, wlsxTrapNodeMac, wlsxTrapAPMacAddress, wlsxTrapAPRadioNumber, wlsxTrapAPLocation, wlsxTrapAPChannel}
Status	current
Description	This trap indicates that an AP detected that a valid station is using the same WEP initialization vector in consecutive packets.

wlsxStaWeakWEPIVViolation

Objects	{wlsxTrapTime, wlsxTrapTargetAPBSSID, wlsxTrapTargetAPSSID, wlsxTrapNodeMac, wlsxTrapAPMacAddress, wlsxTrapAPRadioNumber, wlsxTrapAPLocation, wlsxTrapAPChannel}
Status	current
Description	This trap indicates that an AP detected that a valid station is using a Weak WEP initialization vector.

wlsxStaAssociatedToUnsecureAP

Objects	{wlsxTrapTime, wlsxTrapTargetAPBSSID, wlsxTrapTargetAPSSID, wlsxTrapAPMacAddress, wlsxTrapAPRadioNumber, wlsxTrapNodeMac, wlsxTrapAPLocation, wlsxTrapAPChannel, wlsxTrapRogueInfoURL}
Status	current
Description	This trap indicates that an AM detected a client associated with a Rogue access point.

wlsxStaUnAssociatedFromUnsecureAP

Objects	{wlsxTrapTime, wlsxTrapTargetAPBSSID, wlsxTrapTargetAPSSID, wlsxTrapAPMacAddress, wlsxTrapAPRadioNumber, wlsxTrapNodeMac}
Status	current
Description	This trap indicates that a previously detected rogue access point association is no longer present.

wlsxAdhocNetworkBridgeDetected

Objects	{wlsxTrapTime, wlsxTrapSourceMac, wlsxTrapTargetAPBSSID, wlsxTrapTargetAPSSID, wlsxTrapAPMacAddress, wlsxTrapAPRadioNumber, wlsxTrapAPLocation, wlsxTrapAPChannel }
Status	current
Description	This trap indicates that an AM has detected an Adhoc network that is bridging to a wired network.

wlsxInterferingApDetected

Objects	{ wlsxTrapTime, wlsxTrapTargetAPBSSID, wlsxTrapTargetAPSSID, wlsxTrapAPMacAddress, wlsxTrapAPRadioNumber, wlsxTrapAPLocation, wlsxTrapAPChannel, wlsxTrapInterferingAPIInfoURL }
Status	current
Description	This trap indicates that an AP detected an access point classified as Interfering. The access point is declared Interfering because it is neither authorized nor classified as Rogue.

wlsxColdStart

Objects	wlsxTrapTime
Status	current
Description	An enterprise version of cold start trap, which contains the controller time stamp.

wlsxWarmStart

Objects	wlsxTrapTime
Status	current
Description	An enterprise version of warm start trap, which contains the controller time stamp.

wlsxAPImpersonation

Objects	{ wlsxTrapTime, wlsxTrapTargetAPBSSID, wlsxTrapTargetAPSSID, wlsxTrapAPMacAddress, wlsxTrapAPRadioNumber, wlsxTrapAPLocation, wlsxTrapAPChannel }
Status	current
Description	This trap indicates that an AP detected AP Impersonation because the number of beacons seen has exceeded the expected number by the configured percentage threshold. The expected number is calculated based on the Beacon Interval Field in the Beacon frame.

wlsxNAuthServerIsDown

Objects	{ wlsxTrapTime, wlsxTrapAuthServerName }
Status	current
Description	This trap indicates that an authentication server is down.

wlsxWindowsBridgeDetected

Objects	{ wlsxTrapTime, wlsxTrapSourceMac, wlsxTrapTargetAPBSSID, wlsxTrapTargetAPSSID, wlsxTrapAPMacAddress, wlsxTrapAPRadioNumber, wlsxTrapAPLocation, wlsxTrapAPChannel }
Status	current
Description	This trap indicates that an AM has detected a station that is bridging from a wireless network to a wired network.

wlsxSignAPNetstumbler

Objects	{ wlsxTrapTime, wlsxTrapSignatureName, wlsxTrapTargetAPBSSID, wlsxTrapTargetAPSSID, wlsxTrapSnr, wlsxTrapAPMacAddress, wlsxTrapAPRadioNumber, wlsxTrapAPLocation }
Status	current
Description	This trap indicates that an AP detected a signature match for Netstumbler from an access point. For more information check http://www.wve.org/entries/show/WVE-2005-0025

wlsxSignStaNetstumbler

Objects	{ wlsxTrapTime, wlsxTrapSignatureName, wlsxTrapSourceMac, wlsxTrapSnr, wlsxTrapAPMacAddress, wlsxTrapAPRadioNumber, wlsxTrapAPLocation }
Status	current
Description	This trap indicates that an AP detected a signature match for Netstumbler from a Station. For more information check http://www.wve.org/entries/show/WVE-2005-0025 .

wlsxSignAPAsleap

Objects	{ wlsxTrapTime, wlsxTrapSignatureName, wlsxTrapTargetAPBSSID, wlsxTrapTargetAPSSID, wlsxTrapSnr, wlsxTrapAPMacAddress, wlsxTrapAPRadioNumber, wlsxTrapAPLocation }
Status	current
Description	This trap indicates that an AP detected a signature match for ASLEAP from an access point. For more information check http://www.wve.org/entries/show/WVE-2005-0027

wlsxSignStaAsleap

Objects	{wlsxTrapTime, wlsxTrapSignatureName, wlsxTrapSourceMac, wlsxTrapSnr, wlsxTrapAPMacAddress, wlsxTrapAPRadioNumber, wlsxTrapAPLocation}
Status	current
Description	This trap indicates that an AP detected a signature match for ASLEAP from a Station. For more information check http://www.wve.org/entries/show/WVE-2005-0027

wlsxSignAPAirjack

Objects	{wlsxTrapTime, wlsxTrapSignatureName, wlsxTrapTargetAPBSSID, wlsxTrapTargetAPSSID, wlsxTrapSnr, wlsxTrapAPMacAddress, wlsxTrapAPRadioNumber, wlsxTrapAPLocation }
Status	current
Description	This trap indicates that an AP detected a signature match for AirJack from an access point. For more information check http://www.wve.org/entries/show/WVE-2005-0018

wlsxSignStaAirjack

Objects	{wlsxTrapTime, wlsxTrapSignatureName, wlsxTrapSourceMac, wlsxTrapSnr, wlsxTrapAPMacAddress, wlsxTrapAPRadioNumber, wlsxTrapAPLocation}
Status	current
Description	This trap indicates that an AP detected a signature match for AirJack from a Station. For more information check http://www.wve.org/entries/show/WVE-2005-0018

wlsxSignAPNullProbeResp

Objects	{wlsxTrapTime, wlsxTrapSignatureName, wlsxTrapTargetAPBSSID, wlsxTrapTargetAPSSID, wlsxTrapSnr, wlsxTrapAPMacAddress, wlsxTrapAPRadioNumber, wlsxTrapAPLocation}
Status	current
Description	This trap indicates that an AP detected a signature match for Null-Probe-Response from an access point. For more information check http://www.wve.org/entries/show/WVE-2006-0064

wlsxSignStaNullProbeResp

Objects	{wlsxTrapTime, wlsxTrapSignatureName, wlsxTrapSourceMac, wlsxTrapSnr, wlsxTrapAPMacAddress, wlsxTrapAPRadioNumber, wlsxTrapAPLocation}
Status	current
Description	This trap indicates that an AP detected a signature match for Null-Probe-Response from a Station. For more information check http://www.wve.org/entries/show/WVE-2006-0064

wlsxSignAPDeathBcast

Objects	{wlsxTrapTime, wlsxTrapSignatureName, wlsxTrapTargetAPBSSID, wlsxTrapTargetAPSSID, wlsxTrapSnr, wlsxTrapAPMacAddress, wlsxTrapAPRadioNumber, wlsxTrapAPLocation}
Status	current
Description	This trap indicates that an AP detected a signature match for Death-Broadcast from an access point. For more information check: http://www.wve.org/entries/show/WVE-2005-0019 http://www.wve.org/entries/show/WVE-2005-0045

wlsxSignStaDeathBcast

Objects	{wlsxTrapTime, wlsxTrapSignatureName, wlsxTrapSourceMac, wlsxTrapSnr, wlsxTrapAPMacAddress, wlsxTrapAPRadioNumber, wlsxTrapAPLocation}
Status	current
Description	This trap indicates that an AP detected a signature match for Death-Broadcast from a Station. For more information check: http://www.wve.org/entries/show/WVE-2005-0019 http://www.wve.org/entries/show/WVE-2005-0045

wlsxWindowsBridgeDetectedAP

Objects	{ wlsxTrapTime, wlsxTrapTargetAPBSSID, wlsxTrapTargetAPSSID, wlsxTrapAPMacAddress, wlsxTrapAPRadioNumber, wlsxTrapAPLocation, wlsxTrapAPChannel }
Status	current
Description	This trap indicates that an AP is detecting an access point that is bridging from a wireless network to a wired network.

wlsxWindowsBridgeDetectedSta

Objects	{ wlsxTrapTime, wlsxTrapSourceMac, wlsxTrapTargetAPBSSID, wlsxTrapTargetAPSSID, wlsxTrapAPMacAddress, wlsxTrapAPRadioNumber, wlsxTrapAPLocation, wlsxTrapAPChannel }
Status	current
Description	This trap indicates that an AP is detecting a station that is bridging from a wireless network to a wired network.

wlsxAdhocNetworkBridgeDetectedAP

Objects	{ wlsxTrapTime, wlsxTrapTargetAPBSSID, wlsxTrapTargetAPSSID, wlsxTrapAPMacAddress, wlsxTrapAPRadioNumber, wlsxTrapAPLocation, wlsxTrapAPChannel }
Status	current
Description	This trap indicates that an AM has detected an adhoc network that is bridging to a wired network

wlsxAdhocNetworkBridgeDetectedSta

Objects	wlsxTrapTime, wlsxTrapSourceMac, wlsxTrapTargetAPBSSID, wlsxTrapTargetAPSSID, wlsxTrapAPMacAddress, wlsxTrapAPRadioNumber, wlsxTrapAPLocation, wlsxTrapAPChannel
Status	current
Description	This trap indicates that an AM has detected an adhoc network that is bridging to a wired network

wlsxDisconnectStationAttackAP

Objects	{wlsxTrapTime, wlsxTrapFrameType, wlsxTrapTargetAPBSSID, wlsxTrapTargetAPSSID, wlsxTrapSnr, wlsxTrapAPMacAddress, wlsxTrapAPRadioNumber, wlsxTrapAPLocation}
Status	current
Description	This trap indicates that an AM detected a station Disconnect attack. For more information check: http://www.wve.org/entries/show/WVE-2005-0045 http://www.wve.org/entries/show/WVE-2005-0046 http://www.wve.org/entries/show/WVE-2005-0048

wlsxDisconnectStationAttackSta

Objects	wlsxTrapTime, wlsxTrapFrameType, wlsxTrapSourceMac, wlsxTrapSnr, wlsxTrapAPMacAddress, wlsxTrapAPRadioNumber, wlsxTrapAPLocation
Status	current
Description	This trap indicates that an AM detected a station Disconnect attack. For more information check: http://www.wve.org/entries/show/WVE-2005-0045 http://www.wve.org/entries/show/WVE-2005-0046 http://www.wve.org/entries/show/WVE-2005-0048

wlsxSuspectUnsecureAPDetected

Objects	{wlsxTrapTime, wlsxTrapTargetAPBSSID, wlsxTrapTargetAPSSID, wlsxTrapAPRadioNumber, wlsxTrapMatchedMac, wlsxTrapMatchedIp, wlsxTrapConfidenceLevel, wlsxTrapAPLocation, wlsxTrapRogueInfoURL}
Status	current
Description	This trap indicates that an access point, classified as Suspected Rogue, has been detected by a Controller. The AP is suspected to be rogue, with the supplied confidence level, because it was matched to the wired MAC address.

wlsxSuspectUnsecureAPResolved

Objects	wlsxTrapTime, wlsxTrapTargetAPBSSID, wlsxTrapTargetAPSSID, wlsxTrapAPRadioNumber
Status	current
Description	This trap indicates that a previously detected access point, classified Suspected Rogue, is either no longer present in the network or has changed its state.

wlsxHtGreenfieldSupported

Objects	wlsxTrapTime, wlsxTrapTargetAPBSSID, wlsxTrapTargetAPSSID, wlsxTrapAPMacAddress, wlsxTrapAPRadioNumber, wlsxTrapAPLocation, wlsxTrapAPChannel
Status	current
Description	This trap indicates that an AP detected an access point that supports HT Greenfield mode. For more information check http://www.wve.org/entries/show/WVE-2008-0005

wlsxHT40MHzIntoleranceAP

Objects	{ wlsxTrapTime, wlsxTrapTargetAPBSSID, wlsxTrapTargetAPSSID, wlsxTrapAPMacAddress, wlsxTrapAPRadioNumber, wlsxTrapAPLocation, wlsxTrapAPChannel }
Status	current
Description	This trap indicates that an AP is detecting an access point with the HT 40MHz intolerance setting. For more information check http://www.wve.org/entries/show/WVE-2008-0004

wlsxHT40MHzIntoleranceSta

Objects	{wlsxTrapTime, wlsxTrapSourceMac, wlsxTrapSnr, wlsxTrapAPChannel, wlsxTrapFrameType, wlsxTrapAPMacAddress, wlsxTrapAPRadioNumber, wlsxTrapAPLocation}
Status	current
Description	This trap indicates that the system is detecting an HT 40MHz Intolerance setting from a Station. For more information check http://www.wve.org/entries/show/WVE-2008-0004

wlsxNAdhocNetwork

Objects	{wlsxTrapTime, wlsxTrapSourceMac, wlsxTrapTargetAPBSSID, wlsxTrapTargetAPSSID, wlsxTrapSnr, wlsxTrapAPMacAddress, wlsxTrapAPRadioNumber, wlsxTrapAPLocation, wlsxTrapAPChannel}
Status	current
Description	This trap indicates that an AP detected an adhoc network where a station is connected to an adhoc access point.

wlsxNAdhocNetworkBridgeDetectedAP

Objects	{ wlsxTrapTime, wlsxTrapTargetAPBSSID, wlsxTrapTargetAPSSID, wlsxTrapSnr, wlsxTrapAPMacAddress, wlsxTrapAPRadioNumber, wlsxTrapAPLocation, wlsxTrapAPChannel}
Status	current
Description	This trap indicates that an AP detected an adhoc network that is bridging to a wired network.

wlsxNAdhocNetworkBridgeDetectedSta

Objects	{ wlsxTrapTime, wlsxTrapSourceMac, wlsxTrapTargetAPBSSID, wlsxTrapTargetAPSSID, wlsxTrapSnr, wlsxTrapAPMacAddress, wlsxTrapAPRadioNumber, wlsxTrapAPLocation, wlsxTrapAPChannel}
Status	current
Description	This trap indicates that an AP detected an adhoc network that is bridging to a wired network.

wlsxClientFloodAttack

Objects	wlsxTrapTime, wlsxTrapAPMacAddress, wlsxTrapAPRadioNumber, wlsxTrapAPLocation
Status	current
Description	This trap indicates that the number of potential fake clients detected by an AP has exceeded the configured IDS threshold. This is the total number of fake clients observed across all bands. For more information check http://www.wve.org/entries/show/WVE-2005-0056

wlsxValidClientNotUsingEncryption

Objects	wlsxTrapTime, wlsxTrapTargetAPBSSID, wlsxTrapSourceMac, wlsxTrapReceiverMac, wlsxTrapNodeMac, wlsxTrapSnr, wlsxTrapAPMacAddress, wlsxTrapAPRadioNumber, wlsxTrapAPLocation, wlsxTrapAPChannel
Status	current
Description	This trap indicates that an AP detected an unencrypted data frame between a valid client and an access point.

wlsxAdhocUsingValidSSID

Objects	wlsxTrapTime, wlsxTrapTargetAPBSSID, wlsxTrapTargetAPSSID, wlsxTrapSnr, wlsxTrapAPMacAddress, wlsxTrapAPRadioNumber, wlsxTrapAPLocation, wlsxTrapAPChannel
Status	current
Description	This trap indicates that an AP detected an adhoc network using a valid/protected SSID. For more information check http://www.wve.org/entries/show/WVE-2005-0008

wlsxAPspoofingDetected

Objects	wlsxTrapTime, wlsxTrapTargetAPBSSID, wlsxTrapSourceMac, wlsxTrapReceiverMac, wlsxTrapSpoofedFrameType, wlsxTrapSnr, wlsxTrapAPMacAddress, wlsxTrapAPRadioNumber, wlsxTrapAPLocation, wlsxTrapAPChannel
Status	current
Description	This trap indicates that an AP detected that one of its virtual APs is being spoofed using MAC spoofing. For more information check http://www.wve.org/entries/show/WVE-2005-0019

wlsxClientAssociatingOnWrongChannel

Objects	wlsxTrapTime, wlsxTrapTargetAPBSSID, wlsxTrapSourceMac, wlsxTrapReceiverMac, wlsxTrapSpoofedFrameType, wlsxTrapSnr, wlsxTrapAPMacAddress, wlsxTrapAPRadioNumber, wlsxTrapAPLocation, wlsxTrapAPChannel
Status	current
Description	This trap indicates that an AP detected a client trying to associate to one of its BSSIDs on the wrong channel. This can be a sign that the BSSID is being spoofed in order to fool the client into thinking the AP is operating on another channel.

wlsxNDisconnectStationAttack

Objects	wlsxTrapTime, wlsxTrapTargetAPBSSID, wlsxTrapTargetAPSSID, wlsxTrapSourceMac, wlsxTrapSnr, wlsxTrapAPMacAddress, wlsxTrapAPRadioNumber, wlsxTrapAPLocation, wlsxTrapAPChannel
Status	current
Description	This trap indicates that an AP has determined that a client is under Disconnect Attack because the rate of Assoc/Reassoc Response packets received by that client exceeds the configured threshold. For more information check: http://www.wve.org/entries/show/WVE-2005-0045 http://www.wve.org/entries/show/WVE-2005-0046 http://www.wve.org/entries/show/WVE-2005-0048

wlsxNStaUnAssociatedFromUnsecureAP

Objects	wlsxTrapTime, wlsxTrapTargetAPBSSID, wlsxTrapTargetAPSSID, wlsxTrapAPMacAddress, wlsxTrapAPRadioNumber, wlsxTrapNodeMac, wlsxTrapAPLocation, wlsxTrapAPChannel
Status	current
Description	This trap indicates that an AP that had previously detected a client association to a Rogue access point is no longer detecting that association.

wlsxOmertaAttack

Objects	wlsxTrapTime, wlsxTrapTargetAPBSSID, wlsxTrapTargetAPSSID, wlsxTrapNodeMac, wlsxTrapSnr, wlsxTrapAPMacAddress, wlsxTrapAPRadioNumber, wlsxTrapAPLocation, wlsxTrapAPChannel
Status	current
Description	This trap indicates that an AP detected an Omerta attack. For more information check http://www.wve.org/entries/show/WVE-2005-0053

wlsxTKIPReplayAttack

Objects	wlsxTrapTime, wlsxTrapAPMacAddress, wlsxTrapAPRadioNumber, wlsxTrapAPLocation, wlsxTrapSourceMac, wlsxTrapReceiverMac, wlsxTrapTargetAPBSSID, wlsxTrapAPChannel, wlsxTrapSnr
Status	current
Description	This trap indicates that an AP detected a TKIP replay attack. If successful this could be the precursor to more advanced attacks. For more information check http://www.wve.org/entries/show/WVE-2008-0013

wlsxChopChopAttack

Objects	wlsxTrapTime, wlsxTrapAPMacAddress, wlsxTrapAPRadioNumber, wlsxTrapAPLocation, wlsxTrapSourceMac, wlsxTrapReceiverMac, wlsxTrapTargetAPBSSID, wlsxTrapAPChannel, wlsxTrapSnr
Status	current
Description	This trap indicates that an AP detected a ChopChop attack. For more information check http://www.wve.org/entries/show/WVE-2006-0038

wlsxFataJackAttack

Objects	wlsxTrapTime, wlsxTrapTargetAPBSSID, wlsxTrapTargetAPSSID, wlsxTrapNodeMac, wlsxTrapSnr, wlsxTrapAPMacAddress, wlsxTrapAPRadioNumber, wlsxTrapAPLocation, wlsxTrapAPChannel
Status	current
Description	This trap indicates that an AP detected a FATA-Jack attack. For more information check http://www.wve.org/entries/show/WVE-2006-0057

wlsxInvalidAddressCombination

Objects	wlsxTrapTime, wlsxTrapAPMacAddress, wlsxTrapAPRadioNumber, wlsxTrapAPLocation, wlsxTrapSourceMac, wlsxTrapReceiverMac, wlsxTrapAPChannel, wlsxTrapSnr
Status	current
Description	This trap indicates that an AP detected an invalid source and destination combination. For more information check http://www.wve.org/entries/show/WVE-2008-0011

wlsxValidClientMisassociation

Objects	wlsxTrapTime, wlsxTrapTargetAPBSSID, wlsxTrapTargetAPSSID, wlsxTrapNodeMac, wlsxTrapAssociationType, wlsxTrapSnr, wlsxTrapAPMacAddress, wlsxTrapAPRadioNumber, wlsxTrapAPLocation, wlsxTrapAPChannel
Status	current
Description	This trap indicates that an AP detected a misassociation between a valid client and an unsafe AP.

wlsxMalformedHTIEDetected

Objects	wlsxTrapTime, wlsxTrapAPMacAddress, wlsxTrapAPRadioNumber, wlsxTrapAPLocation, wlsxTrapSourceMac, wlsxTrapReceiverMac, wlsxTrapTargetAPBSSID, wlsxTrapAPChannel, wlsxTrapSnr
Status	current
Description	This trap indicates that an AP detected a malformed HT Information Element. This can be the result of a misbehaving wireless driver or it may be an indication of a new wireless attack.

wlsxMalformedAssocReqDetected

Objects	wlsxTrapTime, wlsxTrapAPMacAddress, wlsxTrapAPRadioNumber, wlsxTrapAPLocation, wlsxTrapSourceMac, wlsxTrapReceiverMac, wlsxTrapTargetAPBSSID, wlsxTrapAPChannel, wlsxTrapSnr
Status	current
Description	This trap indicates that an AP detected a malformed association request with a NULL SSID. For more information check http://www.wve.org/entries/show/WVE-2008-0010

wlsxOverflowIEDetected

Objects	wlsxTrapTime, wlsxTrapAPMacAddress, wlsxTrapAPRadioNumber, wlsxTrapAPLocation, wlsxTrapSourceMac, wlsxTrapReceiverMac, wlsxTrapTargetAPBSSID, wlsxTrapAPChannel, wlsxTrapSnr
Status	current
Description	This trap indicates that an AP detected a management frame with a malformed information element. The declared length of the element is larger than the entire frame containing the element. This may be used to corrupt or crash wireless drivers. For more information check http://www.wve.org/entries/show/WVE-2008-0008

wlsxOverflowEAPOLKeyDetected

Objects	wlsxTrapTime, wlsxTrapAPMacAddress, wlsxTrapAPRadioNumber, wlsxTrapAPLocation, wlsxTrapSourceMac, wlsxTrapReceiverMac, wlsxTrapTargetAPBSSID, wlsxTrapAPChannel, wlsxTrapSnr
Status	current
Description	This trap indicates that an AP detected a key in an EAPOL Key message with a specified length greater than the length of the entire message. For more information check http://www.wve.org/entries/show/WVE-2008-0009

wlsxMalformedFrameLargeDurationDetected

Objects	wlsxTrapTime, wlsxTrapAPMacAddress, wlsxTrapAPRadioNumber, wlsxTrapAPLocation, wlsxTrapSourceMac, wlsxTrapAPChannel, wlsxTrapSnr
Status	current
Description	This trap indicates that an AP detected an unusually large duration in a wireless frame. This may be an attempt to block other devices from transmitting. For more information check http://www.wve.org/entries/show/WVE-2005-0051

wlsxMalformedFrameWrongChannelDetected

Objects	wlsxTrapTime, wlsxTrapAPMacAddress, wlsxTrapAPRadioNumber, wlsxTrapAPLocation, wlsxTrapSourceMac, wlsxTrapTargetAPBSSID, wlsxTrapTargetAPChannel, wlsxTrapAPChannel, wlsxTrapSnr
Status	current
Description	This trap indicates that an AP detected a beacon on one channel advertising another channel. This could be an attempt to lure clients away from a valid AP. For more information check http://www.wve.org/entries/show/WVE-2006-0050

wlsxMalformedAuthFrame

Objects	wlsxTrapTime, wlsxTrapTargetAPBSSID, wlsxTrapTargetAPSSID, wlsxTrapNodeMac, wlsxTrapSnr, wlsxTrapAPMacAddress, wlsxTrapAPRadioNumber, wlsxTrapAPLocation, wlsxTrapAPChannel
Status	current
Description	This trap indicates that an AP detected an authentication frame with either a bad algorithm (similar to Fata-Jack) or a bad transaction. For more information check http://www.wve.org/entries/show/WVE-2006-0057

wlsxCTSRateAnomaly

Objects	wlsxTrapTime, wlsxTrapAPMacAddress, wlsxTrapAPRadioNumber, wlsxTrapAPLocation, wlsxTrapAPChannel
Status	current
Description	This trap indicates that the rate of CTS packets received by an AP exceeds the configured IDS threshold.

wlsxRTSRateAnomaly

Objects	wlsxTrapTime, wlsxTrapAPMacAddress, wlsxTrapAPRadioNumber, wlsxTrapAPLocation, wlsxTrapAPChannel
Status	current
Description	This trap indicates that the rate of RTS packets received by an AP exceeds the configured IDS threshold.

wlsxNRogueAPDetected

Objects	wlsxTrapTime, wlsxTrapTargetAPBSSID, wlsxTrapTargetAPSSID, wlsxTrapAPChannel
Status	current
Description	This trap indicates that an unauthorized access point is connected to the wired network. The access point is classified as Rogue by the system.

wlsxNRogueAPResolved

Objects	wlsxTrapTime, wlsxTrapTargetAPBSSID, wlsxTrapTargetAPSSID, wlsxTrapAPChannel
Status	current
Description	This trap indicates that a previously detected access point, classified as Rogue, is either no longer present in the network or it changed its state.

wlsxNeighborAPDetected

Objects	wlsxTrapTime, wlsxTrapTargetAPBSSID, wlsxTrapTargetAPSSID, wlsxTrapAPChannel
Status	current
Description	This trap indicates that an access point has been classified as a Neighbor by the system.

wlsxNInterferingAPDetected

Objects	wlsxTrapTime, wlsxTrapTargetAPBSSID, wlsxTrapTargetAPSSID, wlsxTrapAPChannel
Status	current
Description	This trap indicates that an access point has been classified as Interfering by the system. The access point is declared Interfering because it is not authorized, nor has it been classified as a rogue.

wlsxNSuspectRogueAPDetected

Objects	wlsxTrapTime, wlsxTrapTargetAPBSSID, wlsxTrapTargetAPSSID, wlsxTrapAPChannel, wlsxTrapConfidenceLevel
Status	current
Description	This trap indicates that an access point, classified as suspected rogue, is detected by the system. The AP is suspected to be rogue with the supplied confidence level.

wlsxNSuspectRogueAPResolved

Objects	wlsxTrapTime, wlsxTrapTargetAPBSSID, wlsxTrapTargetAPSSID, wlsxTrapAPChannel
Status	current
Description	This trap indicates that a previously detected access point, classified as suspected rogue, is either no longer present in the network or has changed its state.

wlsxBlockAckAttackDetected

Objects	wlsxTrapTime, wlsxTrapAPMacAddress, wlsxTrapAPRadioNumber, wlsxTrapAPLocation, wlsxTrapSourceMac, wlsxTrapReceiverMac, wlsxTrapTargetAPBSSID, wlsxTrapAPChannel, wlsxTrapSnr
Status	current
Description	This trap indicates that an attempt has been made to deny service to the source address by spoofing a block ACK add request that sets a sequence number window outside the currently used window. For more information check http://www.wve.org/entries/show/WVE-2008-0006

wlsxHotspotterAttackDetected

Objects	wlsxTrapTime, wlsxTrapAPMacAddress, wlsxTrapAPRadioNumber, wlsxTrapAPLocation, wlsxTrapNodeMac, wlsxTrapSourceMac, wlsxTrapTargetAPBSSID, wlsxTrapAPChannel, wlsxTrapSnr, wlsxTrapTargetAPSSID
Status	current
Description	This trap indicates that a new AP has appeared immediately following a client probe request. This is indicative of the Hotspotter tool or similar that attempts to trap clients with a fake hotspot or other wireless network. For more information check http://www.wve.org/entries/show/WVE-2005-0054

wlsxNSignatureMatch

Objects	wlsxTrapTime, wlsxTrapTargetAPBSSID, wlsxTrapTransmitterMac, wlsxTrapReceiverMac, wlsxTrapSignatureName, wlsxTrapSnr, wlsxTrapAPMacAddress, wlsxTrapAPRadioNumber, wlsxTrapAPLocation, wlsxTrapAPChannel
Status	current
Description	This trap indicates that an AP detected a signature match in a frame.

wlsxNSignatureMatchNetstumbler

Objects	wlsxTrapTime, wlsxTrapTargetAPBSSID, wlsxTrapTransmitterMac, wlsxTrapReceiverMac, wlsxTrapSignatureName, wlsxTrapSnr, wlsxTrapAPMacAddress, wlsxTrapAPRadioNumber, wlsxTrapAPLocation, wlsxTrapAPChannel
Status	current
Description	This trap indicates that an AP detected a signature match for Netstumbler in a frame. For more information check http://www.wve.org/entries/show/WVE-2005-0025

wlsxNSignatureMatchAsleep

Objects	wlsxTrapTime, wlsxTrapTargetAPBSSID, wlsxTrapTransmitterMac, wlsxTrapReceiverMac, wlsxTrapSignatureName, wlsxTrapSnr, wlsxTrapAPMacAddress, wlsxTrapAPRadioNumber, wlsxTrapAPLocation, wlsxTrapAPChannel
Status	current
Description	This trap indicates that an AP detected a signature match for ASLEAP in a frame. For more information check http://www.wve.org/entries/show/WVE-2005-0027

wlsxNSignatureMatchAirjack

Objects	wlsxTrapTime, wlsxTrapTargetAPBSSID, wlsxTrapTransmitterMac, wlsxTrapReceiverMac, wlsxTrapSignatureName, wlsxTrapSnr, wlsxTrapAPMacAddress, wlsxTrapAPRadioNumber, wlsxTrapAPLocation, wlsxTrapAPChannel
Status	current
Description	This trap indicates that an AP detected a signature match for Airjack in a frame. For more information check http://www.wve.org/entries/show/WVE-2005-0018

wlsxNSignatureMatchNullProbeResp

Objects	wlsxTrapTime, wlsxTrapTargetAPBSSID, wlsxTrapTransmitterMac, wlsxTrapReceiverMac, wlsxTrapSignatureName, wlsxTrapSnr, wlsxTrapAPMacAddress, wlsxTrapAPRadioNumber, wlsxTrapAPLocation, wlsxTrapAPChannel
Max-Access	
Status	current
Description	This trap indicates that an AP detected a signature match for Null-Probe-Response in a frame. For more information check http://www.wve.org/entries/show/WVE-2006-0064

wlsxNSignatureMatchDeathBcast

Objects	wlsxTrapTime, wlsxTrapTargetAPBSSID, wlsxTrapTransmitterMac, wlsxTrapReceiverMac, wlsxTrapSignatureName, wlsxTrapSnr, wlsxTrapAPMacAddress, wlsxTrapAPRadioNumber, wlsxTrapAPLocation, wlsxTrapAPChannel
Max-Access	
Status	current
Description	This trap indicates that an AP detected a signature match for Death-Broadcast in a frame. For more information check: http://www.wve.org/entries/show/WVE-2005-0019 http://www.wve.org/entries/show/WVE-2005-0045

wlsxNSignatureMatchDisassocBcast

Objects	wlsxTrapTime, wlsxTrapTargetAPBSSID, wlsxTrapTransmitterMac, wlsxTrapReceiverMac, wlsxTrapSignatureName, wlsxTrapSnr, wlsxTrapAPMacAddress, wlsxTrapAPRadioNumber, wlsxTrapAPLocation, wlsxTrapAPChannel
Max-Access	
Status	current
Description	This trap indicates that an AP detected a signature match for Disassoc-Broadcast in a frame. For more information check: http://www.wve.org/entries/show/WVE-2005-0019 http://www.wve.org/entries/show/WVE-2005-0046

wlsxNSignatureMatchWellenreiter

Objects	wlsxTrapTime, wlsxTrapTargetAPBSSID, wlsxTrapTransmitterMac, wlsxTrapReceiverMac, wlsxTrapSignatureName, wlsxTrapSnr, wlsxTrapAPMacAddress, wlsxTrapAPRadioNumber, wlsxTrapAPLocation, wlsxTrapAPChannel
Status	current
Description	This trap indicates that an AP detected a signature match for Wellenreiter in a frame. For more information check http://www.wve.org/entries/show/WVE-2006-0058

wlsxAPDeathContainment

Objects	wlsxTrapTime, wlsxTrapTargetAPBSSID, wlsxTrapNodeMac, wlsxTrapAPChannel, wlsxTrapAPMacAddress, wlsxTrapAPRadioNumber, wlsxTrapAPLocation
Status	current
Description	This trap indicates that an AP has attempted to contain an access point by disconnecting its client.

wlsxClientDeathContainment

Objects	wlsxTrapTime, wlsxTrapNodeMac, wlsxTrapTargetAPBSSID, wlsxTrapAPChannel, wlsxTrapAPMacAddress, wlsxTrapAPRadioNumber, wlsxTrapAPLocation
Status	current
Description	This trap indicates that an AP has attempted to contain a client by disconnecting it from the AP that it is associated with.

wlsxAPWiredContainment

Objects	wlsxTrapTime, wlsxTrapTargetAPBSSID, wlsxTrapNodeMac, wlsxTrapDeviceIpAddress, wlsxTrapDeviceMac, wlsxTrapAPMacAddress, wlsxTrapAPRadioNumber, wlsxTrapAPLocation
Status	current
Description	This trap indicates that an AP has attempted to contain an access point by disrupting traffic to its client on the wired interface.

wlsxClientWiredContainment

Objects	wlsxTrapTime, wlsxTrapNodeMac, wlsxTrapTargetAPBSSID, wlsxTrapDeviceIpAddress, wlsxTrapDeviceMac, wlsxTrapAPMacAddress, wlsxTrapAPRadioNumber, wlsxTrapAPLocation
Status	current
Description	This trap indicates that an AP has attempted to contain a client by disrupting traffic to it on the wired interface.

wlsxAPTaggedWiredContainment

Objects	wlsxTrapTime, wlsxTrapTargetAPBSSID, wlsxTrapNodeMac, wlsxTrapDeviceIpAddress, wlsxTrapDeviceMac, wlsxTrapVlanId, wlsxTrapAPMacAddress, wlsxTrapAPRadioNumber, wlsxTrapAPLocation
Status	current
Description	This trap indicates that an AP has attempted to contain an access point by disrupting traffic to its client on the wired interface.

wlsxClientTaggedWiredContainment

Objects	wlsxTrapTime, wlsxTrapNodeMac, wlsxTrapTargetAPBSSID, wlsxTrapDeviceIpAddress, wlsxTrapDeviceMac, wlsxTrapVlanId, wlsxTrapAPMacAddress, wlsxTrapAPRadioNumber, wlsxTrapAPLocation
Status	current
Description	This trap indicates that an AP has attempted to contain a client by disrupting traffic to it on the wired interface.

wlsxTarpitContainment

Objects	wlsxTrapTime, wlsxTrapTargetAPBSSID, wlsxTrapNodeMac, wlsxTrapAPChannel, wlsxTrapTargetAPChannel, wlsxTrapSourceMac, wlsxTrapAPMacAddress, wlsxTrapAPRadioNumber, wlsxTrapAPLocation
Status	current
Description	This trap indicates that an AP has attempted to contain an access point by moving a client that is attempting to associate to it to a tarpit.

wlsxAPChannelChange

Objects	wlsxTrapTime, wlsxTrapAPChannel, wlsxTrapAPChannelSec, wlsxTrapAPPprevChannel, wlsxTrapAPPprevChannelSec, wlsxTrapAPMacAddress, wlsxTrapAPRadioNumber, wlsxTrapAPLocation, wlsxTrapAPARMChangeReason
Status	current
Description	This trap indicates that an AP changed its channel.

wlsxAPPowerChange

Objects	wlsxTrapTime, wlsxTrapAPTxFPower, wlsxTrapAPPprevTxPower, wlsxTrapAPMacAddress, wlsxTrapAPRadioNumber, wlsxTrapAPLocation
Status	current
Description	This trap indicates that an AP changed its transmit power level.

wlsxAPModeChange

Objects	wlsxTrapTime, wlsxTrapAPCurMode, wlsxTrapAPPrevMode, wlsxTrapAPMacAddress, wlsxTrapAPRadioNumber, wlsxTrapAPLocation
Status	current
Description	This trap indicates that an AP changed its mode from AP to AP Monitor or vice versa.

wlsxUserEntryAttributesChanged

Objects	wlsxTrapTime, wlsxTrapUserIpAddress, wlsxTrapUserPhyAddress, wlsxTrapAPBSSID, wlsxTrapAPName, wlsxTrapCardSlot, wlsxTrapPortNumber, wlsxTrapUserAttributeChangeType
Status	current
Description	This trap indicates that the user entry attributes have changed.

wlsxPowerSaveDosAttack

Objects	wlsxTrapTime, wlsxTrapTargetAPBSSID, wlsxTrapTargetAPSSID, wlsxTrapNodeMac, wlsxTrapSnr, wlsxTrapAPMacAddress, wlsxTrapAPRadioNumber, wlsxTrapAPLocation, wlsxTrapAPChannel
Status	current
Description	This trap indicates that an AP detected a Power Save DoS attack.

wlsxNAPMasterStatusChange

Objects	wlsxTrapTime, wlsxTrapAPMacAddress, wlsxTrapApControllerIp, wlsxTrapApMasterStatus
Status	current
Description	This trap indicates that the status of the AP as seen by the master controller has changed.

wlsxNAdhocUsingValidSSID

Objects	wlsxTrapTime, wlsxTrapTargetAPBSSID, wlsxTrapTargetAPSSID, wlsxTrapSourceMac, wlsxTrapSnr, wlsxTrapAPMacAddress, wlsxTrapAPRadioNumber, wlsxTrapAPLocation, wlsxTrapAPChannel
Status	current
Description	This trap indicates that an AP detected an adhoc network node using a valid/protected SSID. For more information check http://www.wve.org/entries/show/WVE-2005-0008

wlsxMgmtUserAuthenticationFailed

Objects	wlsxTrapTime, wlsxTrapUserName, wlsxTrapUserIpAddress, wlsxTrapAuthServerName
Status	current
Description	

SNMP Traps

SNMP Traps are MIB objects (variables) that transmit information to the SNMP Manager when an event occurs. Traps are included as varbinds (variable bindings) in the trap protocol data unit (PDU).

The following traps are supported for the ifTable objects:

- linkDown
- linkUp

These traps are sent when there is change on a specific interface such as GRE or Ethernet.

linkDown

Object ID	1.3.6.1.6.3.1.1.5.3
Syntax	NA
Max-Access	Current
Objects	<ul style="list-style-type: none">• ifIndex• ifAdminStatus• ifOperStatus
Status	current
Description	Indicates that change of state in communication link.

linkUp

Object ID	1.3.6.1.6.3.1.1.5.4
Syntax	NA
Max-Access	Current
Objects	<ul style="list-style-type: none">• ifIndex• ifAdminStatus• ifOperStatus
Status	current
Description	Indicates that change of state in communication link.